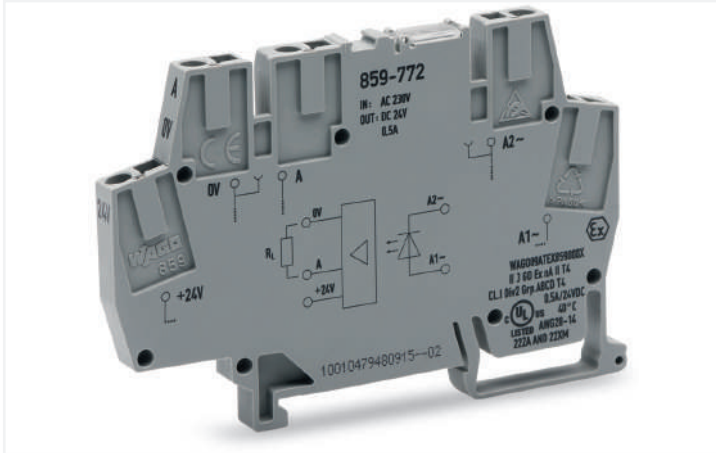


## Data Sheet | Item Number: 859-772

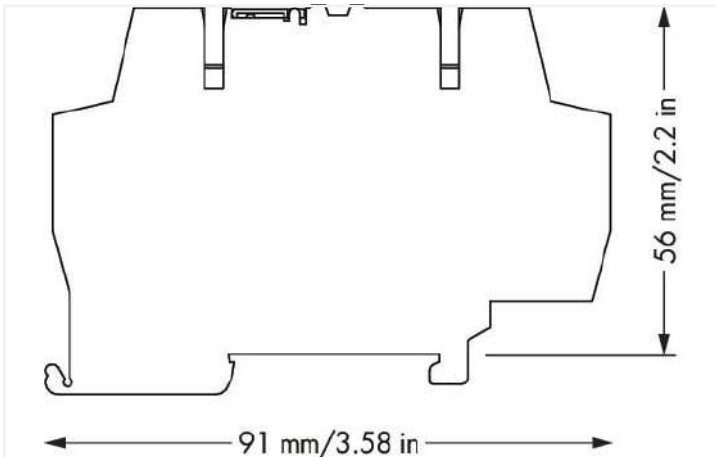
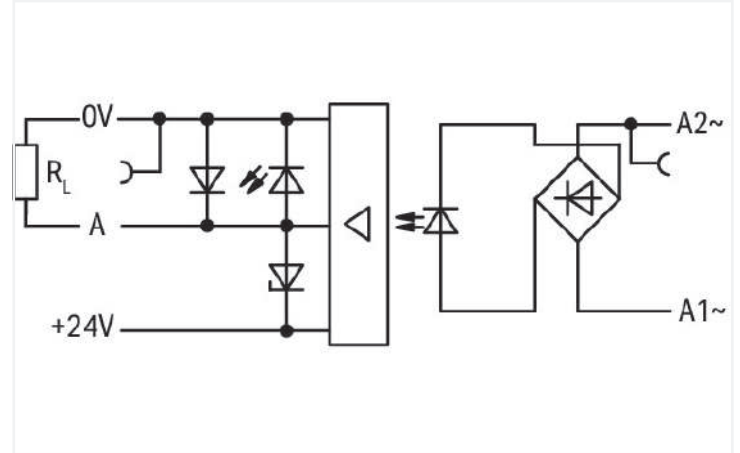
Optocoupler module; Nominal input voltage: 230 VAC; Output voltage range: 20 ... 30 VDC; Limiting continuous current: 0.5 A; 3-wire connection/high-side switching; Red status indicator; Module width: 6 mm; gray



<https://www.wago.com/859-772>



Color: ■ gray



Dimensions in mm

### Notes

Note

Optocouplers and solid state relays are designed for use in signal processing networks, which are not supplied by the low-voltage power supply networks.

### Technical data

#### Control circuit

Nominal input voltage $U_N$	AC 230 V
Input voltage range (low level)	AC 0 ... 90 V
Input voltage range (high level)	AC 175 ... 270 V
Nominal input current at $U_N$	1 mA

#### Load circuit

Circuit type	3-wire connection High-side switching
Limiting continuous current	0.5 A
Nominal output voltage	DC 24 V
Output voltage range	DC 20 ... 30 V
Voltage drop	$\leq 1.2$ VDC
Leakage current at rated voltage	$\leq 10$ $\mu$ A
Output closed-circuit current (without load) max.	12 mA
Turn-on time	$\leq 30$ ms
Turn-off time	$\leq 30$ ms

### Signaling

Status indicator	Red LED
------------------	---------

### Safety and protection

Rated voltage	300 V
Type of circuits	Mains circuits
Overvoltage category	II
Pollution degree	2
Dielectric strength (control/load circuit) (AC, 1 min)	3 kVrms
Insulation type (control/load circuit)	Reinforced insulation (safe isolation)
Insulation type (between adjacent devices of the same type)	Reinforced insulation (safe isolation)
Insulation type (to adjacent devices of different types)	Basic insulation
Protection type	IP20; in connected state or when using 859-525 end plate

### Connection data

Connection technology	CAGE CLAMP®
Solid conductor	0.08 ... 2.5 mm <sup>2</sup> / 28 ... 14 AWG
Fine-stranded conductor	0.08 ... 2.5 mm <sup>2</sup> / 28 ... 14 AWG
Fine-stranded conductor; with insulated ferrule	0.08 ... 1.5 mm <sup>2</sup> / 28 ... 16 AWG
Strip length	5 ... 6 mm / 0.2 ... 0.24 inches

### Physical data

Width	6 mm / 0.236 inches
Height	91 mm / 3.583 inches
Depth from upper-edge of DIN-rail	56 mm / 2.205 inches

### Mechanical data

Mounting type	DIN-35 rail
Mounting position	horizontal (standing/lying); vertical

### Material data

Color	gray
Fire load	0.338 MJ
Weight	20.4 g

### Environmental requirements

Ambient temperature (operation at U <sub>N</sub> )	-25 ... +55 °C
Ambient temperature UL (operation at U <sub>N</sub> )	-25 ... +40 °C
Ambient temperature (storage)	-40 ... +70 °C
Processing temperature	-25 ... +50 °C
Temperature range of connection cable	≥ (T <sub>ambient</sub> + 20 K)
Relative humidity	5 ... 95 % (no condensation permissible)
Operating altitude (max.)	2000 m

### Standards and specifications

Standards/specifications	EN 61010-2-201 EN 61000-6-2 EN 61000-6-3 EN 61373 UL 508
--------------------------	--

### Commercial data

Product Group	6 (INTERFACE ELECTRONIC)
eCl@ss 10.0	27-26-15-03
eCl@ss 9.0	27-26-15-03
ETIM 8.0	EC001504
ETIM 7.0	EC001504
PU (SPU)	1 pcs
Packaging type	Box
Country of origin	DE
GTIN	4055144130225
Customs tariff number	85365005000

### Environmental Product Compliance

CAS-No.	1303-86-2 1317-36-8 7439-92-1 79-94-7
REACH Candidate List Substance	2,2',6,6'-tetrabromo-4,4'-isopropylidenediphenol Diboron trioxide Lead Lead monoxide
RoHS Compliance Status	Compliant,With Exemption
RoHS Exemption	7(a) 7(c)-I 7(c)-II
SCIP notification number (Bulgaria)	9e510fa9-994e-4d30-8c64-41e168fc56df
SCIP notification number (Czech Republic)	f0459634-ef2c-496c-b525-7fcd01b3f5e8

### Approvals / Certificates

#### General approvals



Approval	Standard	Certificate Name
EAC Brjansker Zertifizierungs- stelle	TP TC 004/2011	EAC RU C-DE.AM02. B.00122/19
UL Underwriters Laboratories Inc. (ORDINARY LOCATI- ONS)	UL 508	E175199 Sec.4

#### Declarations of conformity and manufacturer's declarations

Approval	Standard	Certificate Name
EU-Declaration of Confor- mity WAGO GmbH & Co. KG	-	-

Approvals for hazardous areas



Approval	Standard	Certificate Name
UL Underwriters Laboratories Inc. (HAZARDOUS LOCATIONS)	ANSI/ISA 12.12.01	E198726

Downloads

Environmental Product Compliance

Compliance Search
Environmental Product Compliance 859-772 <a href="#">↓</a>

Documentation

Bid Text			
859-772	19.02.2019	xml 3.91 KB	<a href="#">↓</a>
859-772	20.02.2019	docx 15.43 KB	<a href="#">↓</a>

Instruction Leaflet			
Relay modules, Opto-coupler modules	V 2.0.0 19.01.2022	pdf 2066.27 KB	<a href="#">↓</a>

CAD/CAE-Data

CAD data
2D/3D Models 859-772 <a href="#">↓</a>

CAE data	
EPLAN Data Portal 859-772	<a href="#">↓</a>
WSCAD Universe 859-772	<a href="#">↓</a>
ZUKEN Portal 859-772	<a href="#">↓</a>

1 Compatible Products

1.1 Optional Accessories

1.1.1 End plate

1.1.1.1 End plate



**Item No.: 859-525**  
End and intermediate plate; 1 mm thick; gray

1.1.1.2 Intermediate plate



**Item No.: 859-525**  
End and intermediate plate; 1 mm thick; gray

1.1.2 Ferrule

1.1.2.1 Ferrule



**Item No.: 216-321**  
Ferrule; Sleeve for 0.25 mm<sup>2</sup> / AWG 24; insulated; electro-tin plated; yellow



**Item No.: 216-322**  
Ferrule; Sleeve for 0.34 mm<sup>2</sup> / 22 AWG; insulated; electro-tin plated; light turquoise



**Item No.: 216-221**  
Ferrule; Sleeve for 0.5 mm<sup>2</sup> / 20 AWG; insulated; electro-tin plated; white



**Item No.: 216-222**  
Ferrule; Sleeve for 0.75 mm<sup>2</sup> / 18 AWG; insulated; electro-tin plated; gray



**Item No.: 216-223**  
Ferrule; Sleeve for 1 mm<sup>2</sup> / AWG 18; insulated; electro-tin plated; red



**Item No.: 216-224**  
Ferrule; Sleeve for 1.5 mm<sup>2</sup> / AWG 16; insulated; electro-tin plated; black

1.1.3 Jumper

1.1.3.1 Jumper



**Item No.: 859-410/000-006**  
Jumper; for jumper slot; 10-way; insulated; blue



**Item No.: 859-410**  
Jumper; for jumper slot; 10-way; insulated; light gray



**Item No.: 859-410/000-005**  
Jumper; for jumper slot; 10-way; insulated; red



**Item No.: 859-410/000-029**  
Jumper; for jumper slot; 10-way; insulated; yellow



**Item No.: 859-402/000-006**  
Jumper; for jumper slot; 2-way; insulated; blue



**Item No.: 859-402**  
Jumper; for jumper slot; 2-way; insulated; light gray



**Item No.: 859-402/000-005**  
Jumper; for jumper slot; 2-way; insulated; red



**Item No.: 859-402/000-029**  
Jumper; for jumper slot; 2-way; insulated; yellow



**Item No.: 859-403/000-006**  
Jumper; for jumper slot; 3-way; insulated; blue



**Item No.: 859-403**  
Jumper; for jumper slot; 3-way; insulated; light gray



**Item No.: 859-403/000-005**  
Jumper; for jumper slot; 3-way; insulated; red



**Item No.: 859-403/000-029**  
Jumper; for jumper slot; 3-way; insulated; yellow



**Item No.: 859-404/000-006**  
Jumper; for jumper slot; 4-way; insulated; blue



**Item No.: 859-404**  
Jumper; for jumper slot; 4-way; insulated; light gray



**Item No.: 859-404/000-005**  
Jumper; for jumper slot; 4-way; insulated; red



**Item No.: 859-404/000-029**  
Jumper; for jumper slot; 4-way; insulated; yellow



**Item No.: 859-405/000-006**  
Jumper; for jumper slot; 5-way; insulated; blue



**Item No.: 859-405**  
Jumper; for jumper slot; 5-way; insulated; light gray



**Item No.: 859-405/000-005**  
Jumper; for jumper slot; 5-way; insulated; red



**Item No.: 859-405/000-029**  
Jumper; for jumper slot; 5-way; insulated; yellow



**Item No.: 859-406/000-006**  
Jumper; for jumper slot; 6-way; insulated; blue



**Item No.: 859-406**  
Jumper; for jumper slot; 6-way; insulated; light gray



**Item No.: 859-406/000-005**  
Jumper; for jumper slot; 6-way; insulated; red



**Item No.: 859-406/000-029**  
Jumper; for jumper slot; 6-way; insulated; signal yellow

### 1.1.3.1 Jumper



**Item No.: 859-407/000-006**

Jumper; for jumper slot; 7-way; insulated; blue



**Item No.: 859-407**

Jumper; for jumper slot; 7-way; insulated; light gray



**Item No.: 859-407/000-005**

Jumper; for jumper slot; 7-way; insulated; red



**Item No.: 859-407/000-029**

Jumper; for jumper slot; 7-way; insulated; yellow



**Item No.: 859-408/000-006**

Jumper; for jumper slot; 8-way; insulated; blue



**Item No.: 859-408**

Jumper; for jumper slot; 8-way; insulated; light gray



**Item No.: 859-408/000-005**

Jumper; for jumper slot; 8-way; insulated; red



**Item No.: 859-408/000-029**

Jumper; for jumper slot; 8-way; insulated; yellow



**Item No.: 859-409/000-006**

Jumper; for jumper slot; 9-way; insulated; blue



**Item No.: 859-409**

Jumper; for jumper slot; 9-way; insulated; light gray



**Item No.: 859-409/000-005**

Jumper; for jumper slot; 9-way; insulated; red



**Item No.: 859-409/000-029**

Jumper; for jumper slot; 9-way; insulated; yellow

### 1.1.4 Marking

#### 1.1.4.1 Marker



**Item No.: 2009-145**

Mini-WSB Inline; for Smart Printer; 1700 pieces on roll; stretchable 5 - 5.2 mm; plain; snap-on type; white



**Item No.: 248-502**

Mini-WSB marking card; as card; MARKED; 1 ... 10 (10x); not stretchable; Horizontal marking; snap-on type; white



**Item No.: 248-503**

Mini-WSB marking card; as card; MARKED; 11 ... 20 (10x); not stretchable; Horizontal marking; snap-on type; white



**Item No.: 248-504**

Mini-WSB marking card; as card; MARKED; 21 ... 30 (10x); not stretchable; Horizontal marking; snap-on type; white



**Item No.: 248-506**

Mini-WSB marking card; as card; MARKED; 41 ... 50 (10x); not stretchable; Horizontal marking; snap-on type; white



**Item No.: 248-501**

Mini-WSB marking card; as card; not stretchable; plain; snap-on type; white

#### 1.1.4.2 Marking devices



**Item No.: 210-110**

Fiber-tip pen

### 1.1.5 Test and measurement

#### 1.1.5.1 Testing accessories



**Item No.: 859-500**

WAGO Test pin; 1 mm Ø; 30 V AC / 60 V DC; CAT0; 1 A; 10 mm uninsulated; Test lead for soldering up to 0,5mm<sup>2</sup>

### 1.1.6 Tool

### 1.1.6.1 Operating tool



**Item No.: 210-720**

Operating tool; Blade: 3.5 x 0.5 mm; with a partially insulated shaft; multicoloured

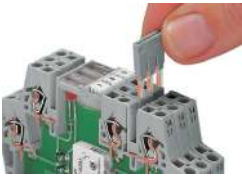
## Installation Notes

### Conductor termination



Conductor termination

### Commoning



Easy commoning using adjacent jumpers

### Marking



Marking via Mini-WSB Quick Marking System