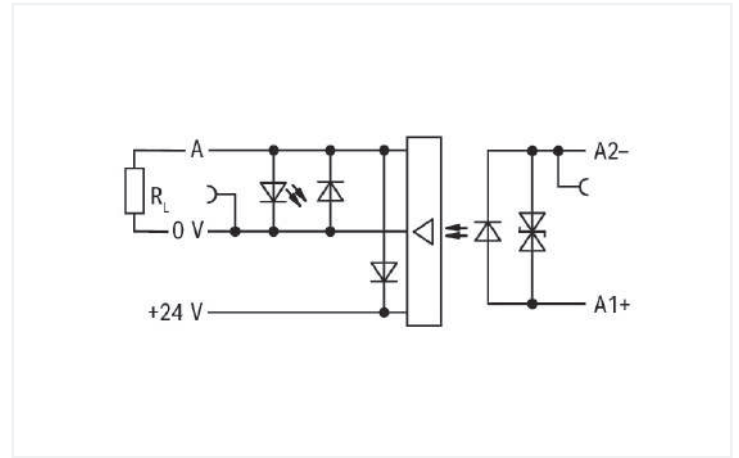
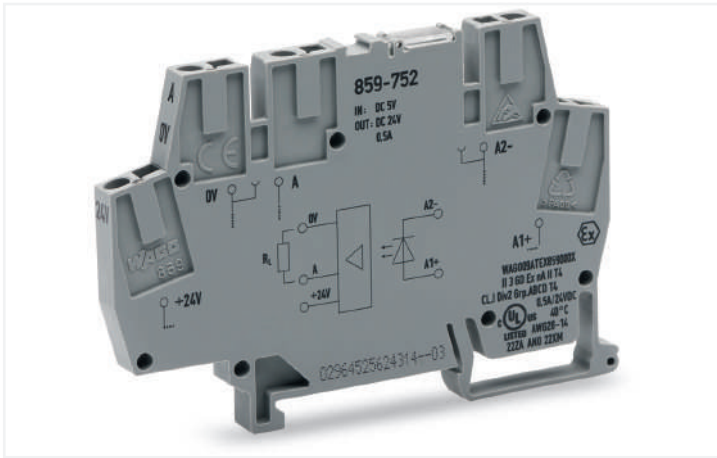


Data Sheet | Item Number: 859-735

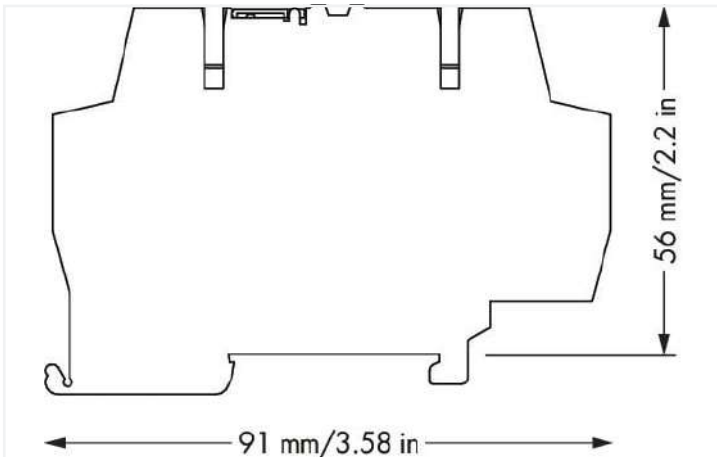
Optocoupler module; Nominal input voltage: 24 VDC; Output voltage range: 20 ... 30 VDC; Limiting continuous current: 0.25A; 3-wire connection/high-side switching; Railway; Frequency: 10 kHz; Red status indicator; Module width: 6 mm



<https://www.wago.com/859-735>



Similar to illustration



Dimensions in mm

Notes

Note Optocouplers and solid state relays are designed for use in signal processing networks that are not supplied directly by the low-voltage power supply network.

Technical data

Control circuit

Nominal input voltage U_N	DC 24 V
Input voltage range	DC 15 ... 30 V
Input voltage range (low level)	DC 0 ... 5 V
Input voltage range (high level)	DC 15 ... 30 V
Nominal input current at U_N	7 mA
Input current range	4.5 ... 7.3 mA

Load circuit

Circuit type	3-wire connection High-side switching
Limiting continuous current	1.5 A
Nominal output voltage	DC 24 V
Output voltage range	DC 3 ... 30 V
Voltage drop	≤ 1.2 VDC
Leakage current at rated voltage	≤ 10 μ A
Turn-on time	≤ 8 μ s
Turn-off time	≤ 9 μ s
Rise time (t_{10-90})	2.5 μ s
Drop-out time (t_{90-10})	1.5 μ s
Switching frequency	≤ 20 kHz

Signaling

Status indicator	Red LED
------------------	---------

Safety and protection

Rated voltage	300 V
Overvoltage category	II
Pollution degree	2
Dielectric strength (control/load circuit) (AC, 1 min)	2.5 kVrms
Insulation type (control/load circuit)	Basic insulation
Insulation type (between adjacent devices of the same type)	Reinforced insulation (safe isolation)
Insulation type (to adjacent devices of different types)	Basic insulation
Protection type	IP20; in connected state or when using 859-525 end plate

Connection data

Connection technology	CAGE CLAMP®
Solid conductor	0.2 ... 2.5 mm ² / 24 ... 14 AWG
Fine-stranded conductor	0.2 ... 2.5 mm ² / 24 ... 14 AWG
Fine-stranded conductor; with insulated ferrule	0.2 ... 1.5 mm ² / 24 ... 16 AWG
Strip length	5 ... 6 mm / 0.2 ... 0.24 inches

Physical data

Width	6 mm / 0.236 inches
Height	91 mm / 3.583 inches
Depth from upper-edge of DIN-rail	56 mm / 2.205 inches

Mechanical data

Mounting type	DIN-35 rail
Mounting position	horizontal (standing/lying); vertical

Material data

Fire load	0.338 MJ
Weight	18.9 g

Environmental requirements

Ambient temperature (operation at U _N)	-40 ... +70 °C
Ambient temperature UL (operation at U _N)	-40 ... +40 °C
Ambient temperature (storage)	-40 ... +85 °C
Processing temperature	-25 ... +50 °C
Temperature range of connection cable	≥ (T _{ambient} + 20 K)
Relative humidity	5 ... 95 % (no condensation permissible)
Operating altitude (max.)	2000 m

Standards and specifications

Standards/specifications	EN 61010-2-201 EN 61000-6-2 EN 61000-6-3 UL 508
--------------------------	--

Commercial data

Product Group	6 (INTERFACE ELECTRONIC)
ETIM 8.0	EC001504
ETIM 7.0	EC001504
PU (SPU)	10 pcs
Packaging type	Box
Country of origin	DE
GTIN	4055143600231
Customs tariff number	85365005000

Environmental Product Compliance

CAS-No.	1303-86-2 1317-36-8 7439-92-1 75980-60-8 79-94-7
REACH Candidate List Substance	2,2',6,6'-tetrabromo-4,4'-isopropylidenediphenol Diboron trioxide Lead Lead monoxide Phosphine oxide, diphenyl(2,4,6-trimethylbenzoyl)-
RoHS Compliance Status	Compliant,With Exemption
RoHS Exemption	7(a) 7(c)-I
SCIP notification number (Austria)	74cf226d-9349-4e9a-be6a-2a8121b8e6cf
SCIP notification number (Belgium)	81f784a3-057e-4052-99f7-b406cf124ce3
SCIP notification number (Bulgaria)	26bf9f5e-54c9-4592-803a-0211fa038f62
SCIP notification number (Czech Republic)	0eb4bd70-8052-46cd-8ff6-909968d99347
SCIP notification number (Denmark)	7f9ccda2-a7d8-4451-aeb3-c3eac67a9406
SCIP notification number (Finland)	f222a2fa-bbdd-4036-8962-4b88e877f786
SCIP notification number (France)	cf5fac18-14ff-4447-9c10-c57e6c24c515
SCIP notification number (Germany)	6e8a5341-bf01-4895-bfa8-56fb4c4fa89a
SCIP notification number (Hungary)	d73d894a-3af0-42c9-bcb4-0bebef31f4c4
SCIP notification number (Italy)	f8bc471e-0a8d-4a56-8909-5a9f62f92ee4
SCIP notification number (Netherlands)	e23a5c23-fe4d-4250-9046-3a5671b63462
SCIP notification number (Poland)	bcc929b7-5c97-44ad-95a3-0140a896bd39
SCIP notification number (Romania)	61793835-f0d2-41b2-9cc3-8cac0d3b72ed
SCIP notification number (Sweden)	874de0a5-f944-4ba0-b430-6b816f4bd4ed

Approvals / Certificates

General approvals



Approval	Standard	Certificate Name
EAC GZO Almaty Standart	TP TC 020/2011	EAC CoC 03081
UL Underwriters Laboratories Inc. (ORDINARY LOCATIONS)	UL 508	E175199 Sec.4

Downloads

Environmental Product Compliance

Compliance Search

Environmental Product
Compliance 859-735



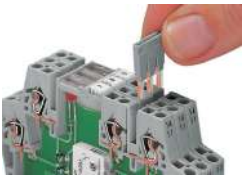
Installation Notes

Conductor termination



Conductor termination

Commoning



Easy commoning using adjacent jumpers

Marking



Marking via Mini-WSB Quick Marking System