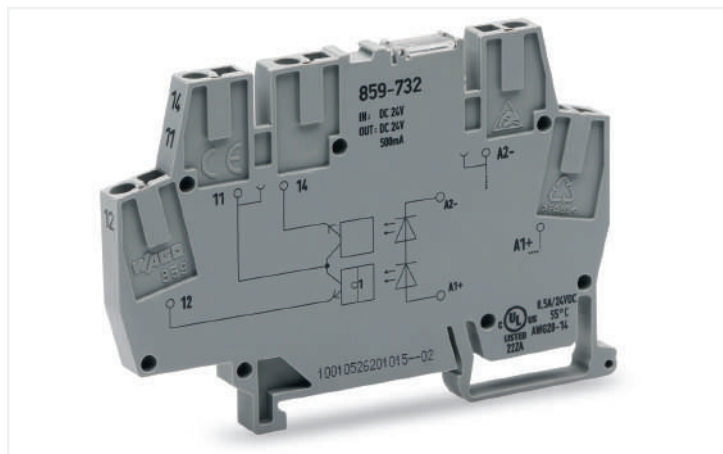


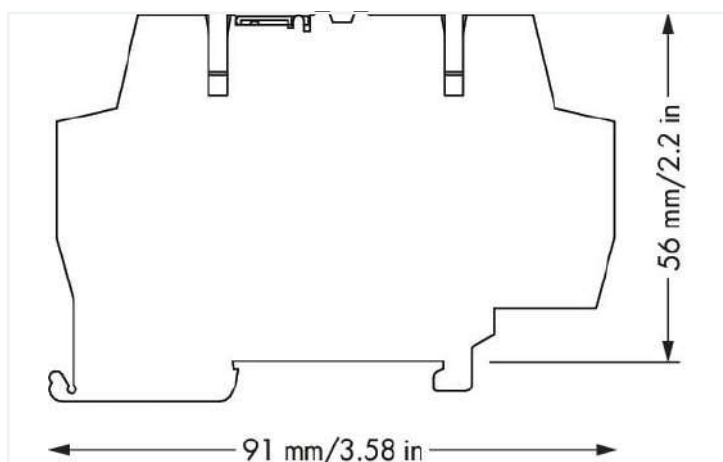
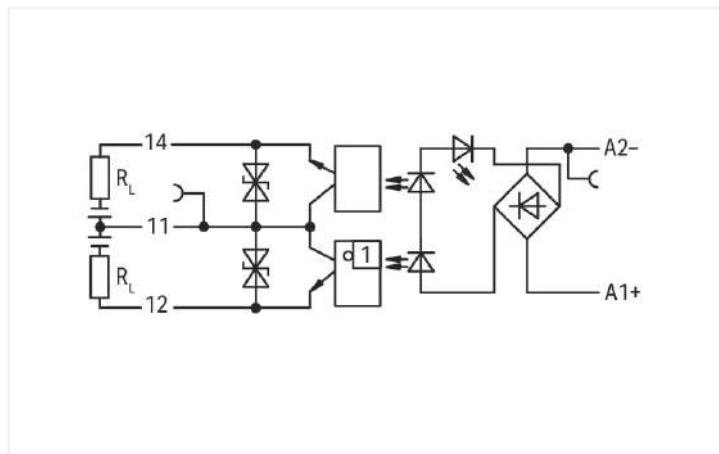
## Data Sheet | Item Number: 859-732

Optocoupler module; Nominal input voltage: 24 VDC; Output voltage range: 3 ... 30 VDC; Limiting continuous current: 0.5 A; 1 changeover contact; Red status indicator; Module width: 6 mm; gray

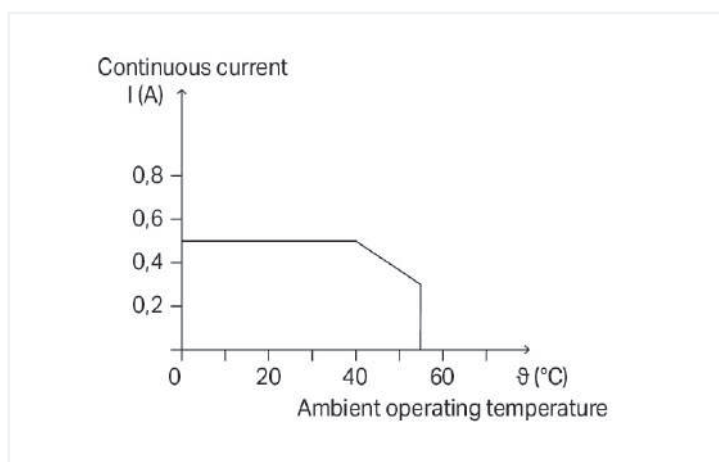
<https://www.wago.com/859-732>



Color: ■ gray



Dimensions in mm



Current-carrying capacity curve

### Notes

Note

Optocouplers and solid state relays are designed for use in signal processing networks that are not supplied directly by the low-voltage power supply network.

### Technical data

#### Control circuit

Nominal input voltage $U_N$	DC 24 V
Input voltage range	DC 14 ... 60 V
Input voltage range (low level)	DC 0 ... 5 V
Input voltage range (high level)	DC 15 ... 42 V
Nominal input current at $U_N$	6 mA
Input current range	3.5 ... 9 mA

#### Load circuit

Circuit type	Changeover contact output
Limiting continuous current	1 A
Peak output current	4 A
Nominal output voltage	DC 24 V
Output voltage range	DC 3 ... 30 V
Voltage drop	$\leq 1.5$ VDC
Leakage current at rated voltage	$\leq 1.3$ mA
Switching current (min.)	0.5 mA
Turn-on time	$\leq 25$ $\mu$ s
Turn-off time	$\leq 150$ $\mu$ s
Switching frequency	$\leq 2$ kHz

### Signaling

Status indicator	Red LED
------------------	---------

### Safety and protection

Rated voltage	300 V
Overvoltage category	II
Pollution degree	2
Dielectric strength (control/load circuit) (AC, 1 min)	3.5 kVrms
Insulation type (control/load circuit)	Basic insulation
Insulation type (to adjacent devices of different types)	Reinforced insulation (safe isolation)
Protection type	IP20; in connected state or when using 859-525 end plate

### Connection data

Connection technology	CAGE CLAMP®
Solid conductor	0.2 ... 2.5 mm <sup>2</sup> / 24 ... 14 AWG
Fine-stranded conductor	0.14 ... 2.5 mm <sup>2</sup> / 26 ... 14 AWG
Fine-stranded conductor; with insulated ferrule	0.14 ... 1.5 mm <sup>2</sup> / 26 ... 16 AWG
Strip length	5 ... 6 mm / 0.2 ... 0.24 inches

### Physical data

Width	6 mm / 0.236 inches
Height	91 mm / 3.583 inches
Depth from upper-edge of DIN-rail	56 mm / 2.205 inches

### Mechanical data

Mounting type	DIN-35 rail
Mounting position	horizontal (standing/lying); vertical

### Material data

Color	gray
Fire load	0.338 MJ
Weight	19.6 g

### Environmental requirements

Ambient temperature (operation at U <sub>N</sub> )	-25 ... +70 °C
Ambient temperature UL (operation at U <sub>N</sub> )	-25 ... +40 °C
Ambient temperature (storage)	-25 ... +85 °C
Processing temperature	-25 ... +50 °C
Temperature range of connection cable	≥ (T <sub>ambient</sub> + 20 K)
Relative humidity	5 ... 95 % (no condensation permissible)
Operating altitude (max.)	2000 m

## Standards and specifications

Standards/specifications	EN 61010-2-201 EN 61000-6-2 EN 61000-6-3 UL 508
--------------------------	--

## Commercial data

Product Group	6 (INTERFACE ELECTRONIC)
eCl@ss 10.0	27-26-15-03
eCl@ss 9.0	27-26-15-03
ETIM 8.0	EC001504
ETIM 7.0	EC001504
PU (SPU)	1 pcs
Packaging type	Box
Country of origin	DE
GTIN	4055143605038
Customs tariff number	85365005000

## Environmental Product Compliance

CAS-No.	7439-92-1
REACH Candidate List Substance	Lead
RoHS Compliance Status	Compliant,With Exemption
RoHS Exemption	6(c) 7(a) 7(c)-I 7(c)-II
SCIP notification number (Austria)	57a1bfce-837f-496f-bb87-0ee73be0f0e5
SCIP notification number (Belgium)	755a3c6f-e35a-4e19-b0ee-512f065a91d0
SCIP notification number (Bulgaria)	e6d20177-d9e9-4a78-9d60-e43717e28e57
SCIP notification number (Czech Republic)	9dfd4bfb-cc1c-49eb-a1c1-0b64d00f099b
SCIP notification number (Denmark)	4c323740-8f20-466e-9042-0a076d1a8f0f
SCIP notification number (Finland)	52d3c9ba-3d90-471c-a170-7c09458e40d2
SCIP notification number (France)	ad0e707f-7039-4e88-9ee3-ed5d487a2e2a
SCIP notification number (Germany)	ea40552f-92f5-46de-87e1-b73fe04e3250
SCIP notification number (Hungary)	5cd57c02-e1c7-45e8-832f-d5c9a45f1673
SCIP notification number (Italy)	bf075a59-b693-4567-9db7-e82f4962eeb3
SCIP notification number (Netherlands)	70584d00-5997-4863-bc45-b1f5a8b5a599
SCIP notification number (Poland)	e83132b9-f4af-4c38-9e4e-a25a8341e444
SCIP notification number (Romania)	b75c4036-3d4b-4a67-a7ab-5835dc0fe98b
SCIP notification number (Sweden)	563094d4-9f00-4d26-b4a7-3150d5361492

## Approvals / Certificates

### General approvals



Approval	Standard	Certificate Name
EAC GZO Almaty Standart	TP TC 020/2011	EAC CoC 03081
UL Underwriters Laboratories Inc. (ORDINARY LOCATIONS)	UL 508	E175199 Sec.4

## Downloads

### Environmental Product Compliance

#### Compliance Search

Environmental Product Compliance 859-732



## Documentation

### Bid Text

859-732	19.02.2019	xml 3.82 KB	
859-732	20.02.2019	docx 15.59 KB	

### Instruction Leaflet

Relay modules, Opto-coupler modules	V 2.0.0 19.01.2022	pdf 2066.27 KB	
-------------------------------------	-----------------------	-------------------	--

## CAD/CAE-Data

### CAD data

2D/3D Models 859-732



### CAE data

EPLAN Data Portal 859-732	
WSCAD Universe 859-732	
ZUKEN Portal 859-732	

## 1 Compatible Products

### 1.1 Optional Accessories

#### 1.1.1 End plate

##### 1.1.1.1 End plate



[Item No.: 859-525](#)

End and intermediate plate; 1 mm thick; gray

##### 1.1.1.2 Intermediate plate



[Item No.: 859-525](#)

End and intermediate plate; 1 mm thick; gray

1.1.2 Ferrule

1.1.2.1 Ferrule



**Item No.: 216-321**

Ferrule; Sleeve for 0.25 mm<sup>2</sup> / AWG 24; insulated; electro-tin plated; yellow



**Item No.: 216-322**

Ferrule; Sleeve for 0.34 mm<sup>2</sup> / 22 AWG; insulated; electro-tin plated; light turquoise



**Item No.: 216-221**

Ferrule; Sleeve for 0.5 mm<sup>2</sup> / 20 AWG; insulated; electro-tin plated; white



**Item No.: 216-222**

Ferrule; Sleeve for 0.75 mm<sup>2</sup> / 18 AWG; insulated; electro-tin plated; gray



**Item No.: 216-223**

Ferrule; Sleeve for 1 mm<sup>2</sup> / AWG 18; insulated; electro-tin plated; red



**Item No.: 216-224**

Ferrule; Sleeve for 1.5 mm<sup>2</sup> / AWG 16; insulated; electro-tin plated; black

1.1.3 Jumper

1.1.3.1 Jumper



**Item No.: 859-410/000-006**

Jumper; for jumper slot; 10-way; insulated; blue



**Item No.: 859-410**

Jumper; for jumper slot; 10-way; insulated; light gray



**Item No.: 859-410/000-005**

Jumper; for jumper slot; 10-way; insulated; red



**Item No.: 859-410/000-029**

Jumper; for jumper slot; 10-way; insulated; yellow



**Item No.: 859-402/000-006**

Jumper; for jumper slot; 2-way; insulated; blue



**Item No.: 859-402**

Jumper; for jumper slot; 2-way; insulated; light gray



**Item No.: 859-402/000-005**

Jumper; for jumper slot; 2-way; insulated; red



**Item No.: 859-402/000-029**

Jumper; for jumper slot; 2-way; insulated; yellow



**Item No.: 859-403/000-006**

Jumper; for jumper slot; 3-way; insulated; blue



**Item No.: 859-403**

Jumper; for jumper slot; 3-way; insulated; light gray



**Item No.: 859-403/000-005**

Jumper; for jumper slot; 3-way; insulated; red



**Item No.: 859-403/000-029**

Jumper; for jumper slot; 3-way; insulated; yellow



**Item No.: 859-404/000-006**

Jumper; for jumper slot; 4-way; insulated; blue



**Item No.: 859-404**

Jumper; for jumper slot; 4-way; insulated; light gray



**Item No.: 859-404/000-005**

Jumper; for jumper slot; 4-way; insulated; red



**Item No.: 859-404/000-029**

Jumper; for jumper slot; 4-way; insulated; yellow



**Item No.: 859-405/000-006**

Jumper; for jumper slot; 5-way; insulated; blue



**Item No.: 859-405**

Jumper; for jumper slot; 5-way; insulated; light gray



**Item No.: 859-405/000-005**

Jumper; for jumper slot; 5-way; insulated; red



**Item No.: 859-405/000-029**

Jumper; for jumper slot; 5-way; insulated; yellow



**Item No.: 859-406/000-006**

Jumper; for jumper slot; 6-way; insulated; blue



**Item No.: 859-406**

Jumper; for jumper slot; 6-way; insulated; light gray



**Item No.: 859-406/000-005**

Jumper; for jumper slot; 6-way; insulated; red



**Item No.: 859-406/000-029**

Jumper; for jumper slot; 6-way; insulated; signal yellow



**Item No.: 859-407/000-006**

Jumper; for jumper slot; 7-way; insulated; blue



**Item No.: 859-407**

Jumper; for jumper slot; 7-way; insulated; light gray



**Item No.: 859-407/000-005**

Jumper; for jumper slot; 7-way; insulated; red



**Item No.: 859-407/000-029**

Jumper; for jumper slot; 7-way; insulated; yellow



**Item No.: 859-408/000-006**

Jumper; for jumper slot; 8-way; insulated; blue



**Item No.: 859-408**

Jumper; for jumper slot; 8-way; insulated; light gray



**Item No.: 859-408/000-005**

Jumper; for jumper slot; 8-way; insulated; red



**Item No.: 859-408/000-029**

Jumper; for jumper slot; 8-way; insulated; yellow



**Item No.: 859-409/000-006**

Jumper; for jumper slot; 9-way; insulated; blue



**Item No.: 859-409**

Jumper; for jumper slot; 9-way; insulated; light gray



**Item No.: 859-409/000-005**

Jumper; for jumper slot; 9-way; insulated; red



**Item No.: 859-409/000-029**

Jumper; for jumper slot; 9-way; insulated; yellow

## 1.1.4 Marking

### 1.1.4.1 Marker



#### Item No.: 2009-145

Mini-WSB Inline; for Smart Printer; 1700 pieces on roll; stretchable 5 - 5.2 mm; plain; snap-on type; white



#### Item No.: 248-502

Mini-WSB marking card; as card; MARKED; 1 ... 10 (10x); not stretchable; Horizontal marking; snap-on type; white



#### Item No.: 248-503

Mini-WSB marking card; as card; MARKED; 11 ... 20 (10x); not stretchable; Horizontal marking; snap-on type; white



#### Item No.: 248-504

Mini-WSB marking card; as card; MARKED; 21 ... 30 (10x); not stretchable; Horizontal marking; snap-on type; white



#### Item No.: 248-506

Mini-WSB marking card; as card; MARKED; 41 ... 50 (10x); not stretchable; Horizontal marking; snap-on type; white



#### Item No.: 248-501

Mini-WSB marking card; as card; not stretchable; plain; snap-on type; white

### 1.1.4.2 Marking device



#### Item No.: 210-110

Fiber-tip pen

## 1.1.5 Test and measurement

### 1.1.5.1 Testing accessories



#### Item No.: 859-500

WAGO Test pin; 1 mm Ø; 30 V AC / 60 V DC; CAT0; 1 A; 10 mm uninsulated; Test lead for soldering up to 0,5mm<sup>2</sup>

## 1.1.6 Tool

### 1.1.6.1 Operating tool



#### Item No.: 210-720

Operating tool; Blade: 3.5 x 0.5 mm; with a partially insulated shaft; multicoloured

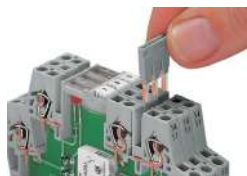
## Installation Notes

### Conductor termination



Conductor termination

## Commoning



Easy commoning using adjacent jumpers

## Marking



Marking via Mini-WSB Quick Marking System