

**Data Sheet | Item Number: 857-734**

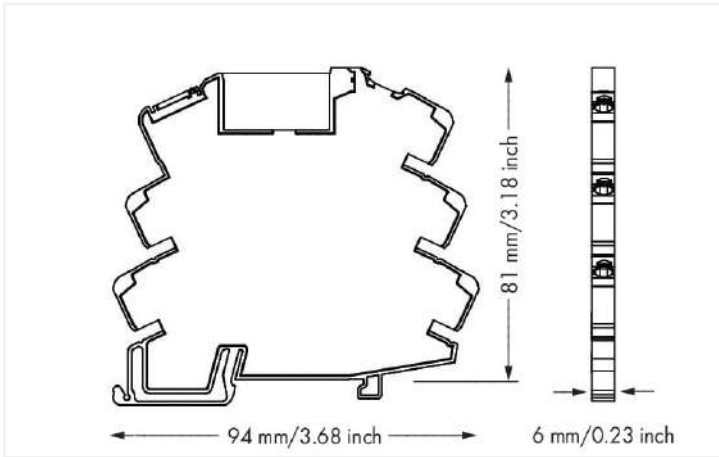
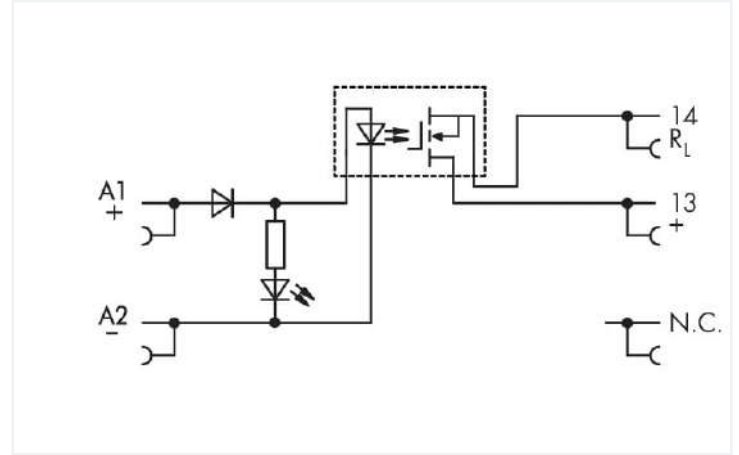
Solid-state relay module; Nominal input voltage: 24 VDC; Output voltage range: 0 ... 30 VDC; Limiting continuous current: 8 A; Module width: 6 mm



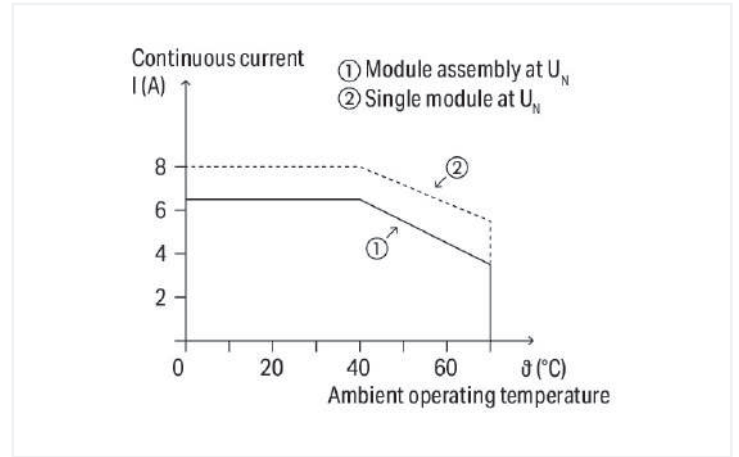
<https://www.wago.com/857-734>



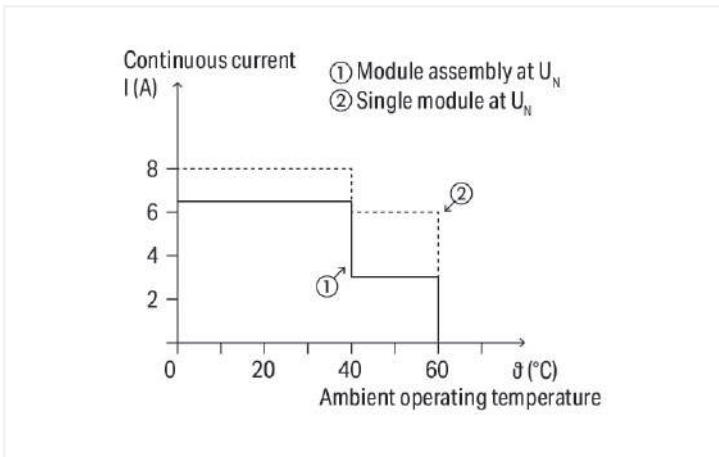
Color: ■ gray



Dimensions in mm



Current-carrying capacity curve



Current carrying capacity curve UL

## Notes

### Safety information

Adjacent devices are devices of the same design (series) that are arranged next to each other with the same orientation on the mounting rail. An end stop (249-116) must be fitted to devices of other types for compliance with the reinforced insulation requirements.

### Note

Optocouplers and solid state relays are designed for use in signal processing networks, which are not supplied by the low-voltage power supply networks.

## Technical data

### Control circuit

Nominal input voltage $U_N$	DC 24 V (SELV)
Input voltage range (low level)	DC 0 ... 4 V
Input voltage range (high level)	DC 16.8 ... 30 V
Nominal input current at $U_N$	12 mA
Power loss (max.) $P_{I(max)}$	0.3 W

### Load circuit

Circuit type	2-wire connection
Limiting continuous current	8 A; 6 A (UL)
Nominal output voltage	DC 24 V (SELV)
Output voltage range	DC 1 ... 30 V
Voltage drop	$\leq 0.8$ VDC
Leakage current at rated voltage	$\leq 1$ $\mu$ A
Switching current (min.)	10 mA
Turn-on time	$\leq 60$ $\mu$ s
Turn-off time	$\leq 250$ $\mu$ s
Switching frequency	$\leq 500$ Hz

## Signaling

Status indicator	Yellow LED
------------------	------------

## Safety and protection

Rated voltage	300 V
Overvoltage category	II
Pollution degree	2
Dielectric strength (control/load circuit) (AC, 1 min)	3.51 kVrms
Insulation type (between adjacent devices of the same type)	Double insulation (safe isolation)
Insulation type (to adjacent devices of different types)	Basic insulation
Safety information	Adjacent devices are devices of the same design (series) that are arranged next to each other with the same orientation on the mounting rail. An end stop (249-116) must be fitted to devices of other types for compliance with the reinforced insulation requirements.
Protection type	IP20

## Connection data

Connection technology	Push-in CAGE CLAMP®
Solid conductor	0.34 ... 2.5 mm <sup>2</sup> / 22 ... 14 AWG
Fine-stranded conductor	0.34 ... 2.5 mm <sup>2</sup> / 22 ... 14 AWG
Fine-stranded conductor; with insulated ferrule	0.34 ... 1.5 mm <sup>2</sup> / 22 ... 16 AWG
Strip length	9 ... 10 mm / 0.35 ... 0.39 inches

### Physical data

Width	6 mm / 0.236 inches
Height	94 mm / 3.701 inches
Depth from upper-edge of DIN-rail	81 mm / 3.189 inches

### Mechanical data

Mounting type	DIN-35 rail
Mounting position	horizontal (standing/lying); vertical

### Material data

Color	gray
Fire load	0.69 MJ
Weight	29.2 g

### Environmental requirements

Ambient temperature (operation at $U_N$ )	-25 ... +70 °C
Ambient temperature UL (operation at $U_N$ )	-25 ... +60 °C
Ambient temperature (storage)	-40 ... +70 °C
Processing temperature	-25 ... +50 °C
Temperature range of connection cable	$\geq (T_{\text{ambient}} + 30 \text{ K})$
Relative humidity	5 ... 85 % (no condensation permissible)
Operating altitude (max.)	2000 m

### Standards and specifications

Standards/specifications	EN 61010-2-201 EN 61373 EN 61000-6-2 EN 61000-6-3 EN 50121-3-2 EN 50121-4
--------------------------	--

### Basic relay

WAGO Basic Relay	857-181
------------------	---------

### Commercial data

ETIM 8.0	EC001504
ETIM 7.0	EC001504
PU (SPU)	25 (1) pcs
Packaging type	Box
Country of origin	CN
GTIN	4055143851176
Customs tariff number	85365005000

**Environmental Product Compliance**

CAS-No.	7439-92-1 79-94-7
REACH Candidate List Substance	2,2',6,6'-tetrabromo-4,4'-isopropylidenediphenol Lead
RoHS Compliance Status	Compliant,With Exemption
RoHS Exemption	6(c) 7(a) 7(c)-I 7(c)-II
SCIP notification number (Austria)	f7fd8389-69bb-4e6f-a1e9-fc1776998c6e
SCIP notification number (Belgium)	40681947-5038-4488-83cb-4416cb9c51b7
SCIP notification number (Bulgaria)	31db28dd-f09a-4e31-a7a6-fd8924a3395b
SCIP notification number (Czech Republic)	6aa2a734-dc16-48e1-837f-5764495677a1
SCIP notification number (Denmark)	2204a812-679a-4767-83f3-acadca70c64c
SCIP notification number (Finland)	2b96f4ab-0baf-46ce-b8a4-87fd619f7e96
SCIP notification number (France)	0016234e-151d-40d3-a51d-e4523d4dd1fa
SCIP notification number (Germany)	eee3505a-635c-4aa1-aff7-0e2acc8ba42e
SCIP notification number (Hungary)	83d51d9c-4402-4ac4-969d-7173d5986407
SCIP notification number (Italy)	7a89d2eb-e6e6-494d-b496-77a0100ae558
SCIP notification number (Netherlands)	b168aa95-0b5d-4c7e-9183-7c10a49fcde9
SCIP notification number (Poland)	5c9ba0ed-a7b4-4c2b-820a-0f1a97e8bbb5
SCIP notification number (Romania)	de10e405-92c2-4264-b1a8-953022403116
SCIP notification number (Sweden)	41efad63-4ffa-4e16-a4a3-b510b3b6919c

**Approvals / Certificates**

**General approvals** **Declarations of conformity and manufacturer's declarations**



Approval	Standard	Certificate Name
EAC Brjansker Zertifizierungs- stelle	TP TC 020/2011	EAC_Certificate_RU_C- DE.AM02.B.00115_19
EAC Brjansker Zertifizierungs- stelle	TP TC 004/2011	EAC RU C-DE.AM02. B.00122/19
UL Underwriters Laboratories Inc. (ORDINARY LOCATI- ONS)	UL 61010-2-201	E175199

Approval	Standard	Certificate Name
EU-Declaration of Confor- mity WAGO GmbH & Co. KG	-	-
UK-Declaration of Confor- mity WAGO GmbH & Co. KG	-	-

**Downloads**

**Environmental Product Compliance**

**Compliance Search**

Environmental Product  
Compliance 857-734

**Documentation**

Bid Text			
857-734	19.02.2019	xml 4.12 KB	
857-734	08.01.2019	docx 16.25 KB	

CAD/CAE-Data	
CAD data	CAE data
2D/3D Models 857-734	ZUKEN Portal 857-734

## 1 Compatible Products

### 1.1 Optional Accessories

#### 1.1.1 Basic relay

##### 1.1.1.1 Basic solid-state relay



**Item No.: 857-181**  
 Basic solid-state relay; Nominal input voltage: 24 VDC; Output voltage range: 0 ... 24 VDC

#### 1.1.2 Ferrule

##### 1.1.2.1 Ferrule



**Item No.: 216-241**  
 Ferrule; Sleeve for 0.5 mm<sup>2</sup> / 20 AWG; insulated; electro-tin plated; electrolytic copper; gastight crimped; acc. to DIN 46228, Part 4/09.90; white



**Item No.: 216-242**  
 Ferrule; Sleeve for 0.75 mm<sup>2</sup> / 18 AWG; insulated; electro-tin plated; electrolytic copper; gastight crimped; acc. to DIN 46228, Part 4/09.90; gray



**Item No.: 216-243**  
 Ferrule; Sleeve for 1 mm<sup>2</sup> / AWG 18; insulated; electro-tin plated; electrolytic copper; gastight crimped; acc. to DIN 46228, Part 4/09.90; red



**Item No.: 216-244**  
 Ferrule; Sleeve for 1.5 mm<sup>2</sup> / AWG 16; insulated; electro-tin plated; electrolytic copper; gastight crimped; acc. to DIN 46228, Part 4/09.90; black

#### 1.1.3 Interface module

##### 1.1.3.1 Interface adapters



**Item No.: 857-981**  
 Interface adapter; 14-pole; High-side switching input



**Item No.: 857-982**  
 Interface adapter; 14-pole; High-side switching output



**Item No.: 857-986**  
 Interface adapter; 15-pole; High-side switching input

#### 1.1.4 Jumper

1.1.4.1 Jumper

<a href="#">Item No.: 281-482</a> Jumper; 2-way; insulated; gray	<a href="#">Item No.: 859-410/000-006</a> Jumper; for jumper slot; 10-way; insulated; blue	<a href="#">Item No.: 859-410</a> Jumper; for jumper slot; 10-way; insulated; light gray	<a href="#">Item No.: 859-410/000-005</a> Jumper; for jumper slot; 10-way; insulated; red
<a href="#">Item No.: 859-410/000-029</a> Jumper; for jumper slot; 10-way; insulated; yellow	<a href="#">Item No.: 859-402/000-006</a> Jumper; for jumper slot; 2-way; insulated; blue	<a href="#">Item No.: 859-402</a> Jumper; for jumper slot; 2-way; insulated; light gray	<a href="#">Item No.: 859-402/000-005</a> Jumper; for jumper slot; 2-way; insulated; red
<a href="#">Item No.: 859-402/000-029</a> Jumper; for jumper slot; 2-way; insulated; yellow	<a href="#">Item No.: 859-403/000-006</a> Jumper; for jumper slot; 3-way; insulated; blue	<a href="#">Item No.: 859-403</a> Jumper; for jumper slot; 3-way; insulated; light gray	<a href="#">Item No.: 859-403/000-005</a> Jumper; for jumper slot; 3-way; insulated; red
<a href="#">Item No.: 859-403/000-029</a> Jumper; for jumper slot; 3-way; insulated; yellow	<a href="#">Item No.: 859-404/000-006</a> Jumper; for jumper slot; 4-way; insulated; blue	<a href="#">Item No.: 859-404</a> Jumper; for jumper slot; 4-way; insulated; light gray	<a href="#">Item No.: 859-404/000-005</a> Jumper; for jumper slot; 4-way; insulated; red
<a href="#">Item No.: 859-404/000-029</a> Jumper; for jumper slot; 4-way; insulated; yellow	<a href="#">Item No.: 859-405/000-006</a> Jumper; for jumper slot; 5-way; insulated; blue	<a href="#">Item No.: 859-405</a> Jumper; for jumper slot; 5-way; insulated; light gray	<a href="#">Item No.: 859-405/000-005</a> Jumper; for jumper slot; 5-way; insulated; red
<a href="#">Item No.: 859-405/000-029</a> Jumper; for jumper slot; 5-way; insulated; yellow	<a href="#">Item No.: 859-406/000-006</a> Jumper; for jumper slot; 6-way; insulated; blue	<a href="#">Item No.: 859-406</a> Jumper; for jumper slot; 6-way; insulated; light gray	<a href="#">Item No.: 859-406/000-005</a> Jumper; for jumper slot; 6-way; insulated; red
<a href="#">Item No.: 859-406/000-029</a> Jumper; for jumper slot; 6-way; insulated; signal yellow	<a href="#">Item No.: 859-407/000-006</a> Jumper; for jumper slot; 7-way; insulated; blue	<a href="#">Item No.: 859-407</a> Jumper; for jumper slot; 7-way; insulated; light gray	<a href="#">Item No.: 859-407/000-005</a> Jumper; for jumper slot; 7-way; insulated; red
<a href="#">Item No.: 859-407/000-029</a> Jumper; for jumper slot; 7-way; insulated; yellow	<a href="#">Item No.: 859-408/000-006</a> Jumper; for jumper slot; 8-way; insulated; blue	<a href="#">Item No.: 859-408</a> Jumper; for jumper slot; 8-way; insulated; light gray	<a href="#">Item No.: 859-408/000-005</a> Jumper; for jumper slot; 8-way; insulated; red
<a href="#">Item No.: 859-408/000-029</a> Jumper; for jumper slot; 8-way; insulated; yellow	<a href="#">Item No.: 859-409/000-006</a> Jumper; for jumper slot; 9-way; insulated; blue	<a href="#">Item No.: 859-409</a> Jumper; for jumper slot; 9-way; insulated; light gray	<a href="#">Item No.: 859-409/000-005</a> Jumper; for jumper slot; 9-way; insulated; red
<a href="#">Item No.: 859-409/000-029</a> Jumper; for jumper slot; 9-way; insulated; yellow			

1.1.5 Marking

1.1.5.1 Double marker carrier

<a href="#">Item No.: 209-128</a> Adaptor; gray

### 1.1.5.2 Group marker carrier



**Item No.: 249-105**

Group marker carrier; gray

### 1.1.5.3 Marker



**Item No.: 209-183**

Marker; white



**Item No.: 793-5501**

WMB marking card; as card; for terminal block width 5 - 17.5 mm; stretchable 5 - 5.2 mm; plain; snap-on type; white



**Item No.: 793-502**

WMB marking card; as card; MARKED; 1 ... 10 (10x); not stretchable; Horizontal marking; snap-on type; white



**Item No.: 793-566**

WMB marking card; as card; MARKED; 1 ... 50 (2x); not stretchable; Horizontal marking; snap-on type; white



**Item No.: 793-503**

WMB marking card; as card; MARKED; 11 ... 20 (10x); not stretchable; Horizontal marking; snap-on type; white



**Item No.: 793-504**

WMB marking card; as card; MARKED; 21 ... 30 (10x); not stretchable; Horizontal marking; snap-on type; white



**Item No.: 793-505**

WMB marking card; as card; MARKED; 31 ... 40 (10x); not stretchable; Horizontal marking; snap-on type; white



**Item No.: 793-506**

WMB marking card; as card; MARKED; 41 ... 50 (10x); not stretchable; Horizontal marking; snap-on type; white



**Item No.: 793-501**

WMB marking card; as card; not stretchable; plain; snap-on type; white



**Item No.: 2009-115**

WMB-Inline; for Smart Printer; 1500 pieces on roll; stretchable 5 - 5.2 mm; plain; snap-on type; white

### 1.1.5.4 Marking devices



**Item No.: 210-110**

Fiber-tip pen

### 1.1.5.5 Marking strip



**Item No.: 2009-110**

Marking strips; for Smart Printer; on reel; not stretchable; plain; snap-on type; white

### 1.1.5.6 Protective marker cover



**Item No.: 209-184**

Protection cover; transparent

## 1.1.6 Tool

### 1.1.6.1 Operating tool

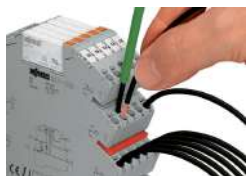


**Item No.: 210-720**

Operating tool; Blade: 3.5 x 0.5 mm; with a partially insulated shaft; multicoloured

## Installation Notes

## Conductor termination



Conductor termination

## Commoning



Easy commoning using adjacent jumpers

## Marking



Marking via WMB Multi Marking System.

## Installation



Removing a relay via ejector.