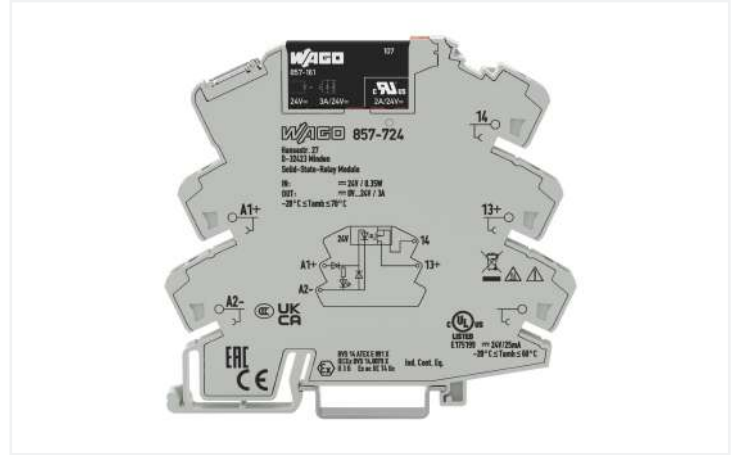


Data Sheet | Item Number: 857-724

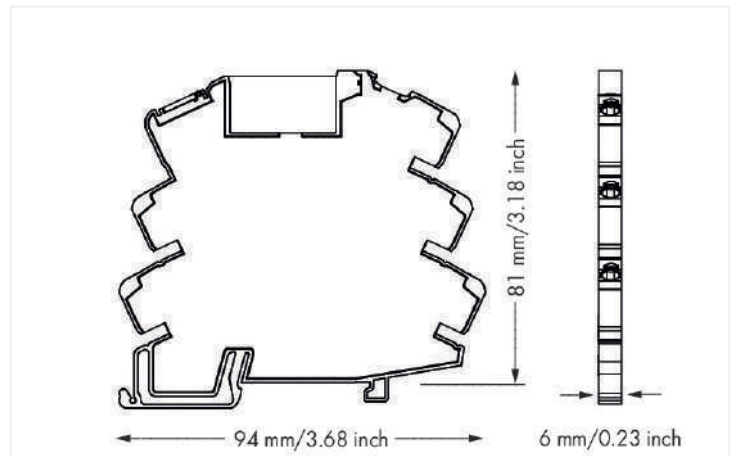
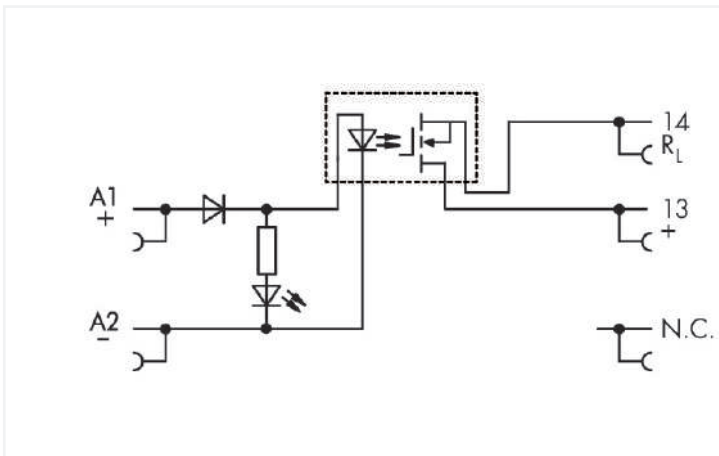
Solid-state relay module; Nominal input voltage: 24 VDC; Output voltage range: 0 ... 24 VDC; Limiting continuous current: 3 A; 2-wire connection; Yellow status indicator; Module width: 6 mm; gray



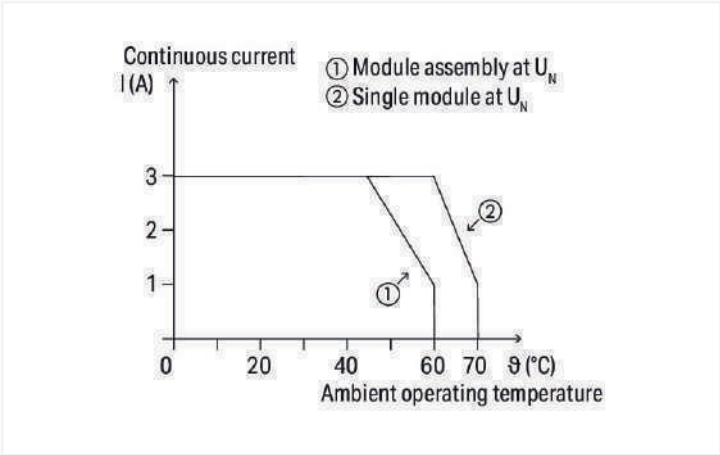
<https://www.wago.com/857-724>



Color: ■ gray



Dimensions in mm



Current-carrying capacity curve

Notes

Note

Optocouplers and solid state relays are designed for use in signal processing networks, which are not supplied by the low-voltage power supply networks.

Technical data

Control circuit

Nominal input voltage U_N	DC 24 V
Input voltage range (low level)	DC 0 ... 10 V
Input voltage range (high level)	DC 18.8 ... 31.2 V
Nominal input current at U_N	10 mA

Load circuit

Circuit type	2-wire connection
Limiting continuous current	3 A
Inrush current (resistive) max.	(AC) 15 A / 0.01 s
Nominal output voltage	DC 24 V
Output voltage range	DC 0 ... 30 V
Voltage drop	≤ 0.12 VDC
Leakage current at rated voltage	≤ 1 μ A
Switching current (min.)	50 μ A
Turn-on time	≤ 100 μ s
Turn-off time	≤ 600 μ s
Switching frequency	≤ 350 Hz

Signaling

Status indicator	Yellow LED
------------------	------------

Safety and protection

Rated voltage	300 V
Overvoltage category	III
Pollution degree	2
Dielectric strength (control/load circuit) (AC, 1 min)	3.51 kVrms
Insulation type (control/load circuit)	Basic insulation
Insulation type (between adjacent devices of the same type)	Reinforced insulation (safe isolation)
Insulation type (to adjacent devices of different types)	Basic insulation
Protection type	IP20

Connection data

Connection technology	Push-in CAGE CLAMP®
Solid conductor	0.34 ... 2.5 mm ² / 22 ... 14 AWG
Fine-stranded conductor	0.34 ... 2.5 mm ² / 22 ... 14 AWG
Fine-stranded conductor; with insulated ferrule	0.34 ... 1.5 mm ² / 22 ... 16 AWG
Strip length	9 ... 10 mm / 0.35 ... 0.39 inches

Physical data

Width	6 mm / 0.236 inches
Height	94 mm / 3.701 inches
Depth from upper-edge of DIN-rail	81 mm / 3.189 inches

Mechanical data

Mounting type	DIN-35 rail
Mounting position	horizontal (standing/lying); vertical

Material data

Color	gray
Fire load	0.69 MJ
Weight	29.3 g

Environmental requirements

Ambient temperature (operation at U_N)	-20 ... +70 °C
Ambient temperature (storage)	-40 ... +70 °C
Processing temperature	-25 ... +50 °C
Temperature range of connection cable	$\geq (T_{\text{ambient}} + 30 \text{ K})$
Relative humidity	5 ... 85 % (no condensation permissible)
Operating altitude (max.)	2000 m

Standards and specifications

Standards/specifications	EN 61000-6-2 EN 61000-6-3 EN 61373 EN 61010-2-201 UL 508 DNV
--------------------------	---

Basic relay

WAGO Basic Relay	857-161
------------------	---------

Commercial data

Product Group	6 (INTERFACE ELECTRONIC)
eCl@ss 10.0	27-26-15-03
eCl@ss 9.0	27-26-15-03
ETIM 8.0	EC001504
ETIM 7.0	EC001504
PU (SPU)	25 (1) pcs
Packaging type	Box
Country of origin	CN
GTIN	4045454835552
Customs tariff number	85365005000

Environmental Product Compliance

CAS-No.	7439-92-1 79-94-7
REACH Candidate List Substance	2,2',6,6'-tetrabromo-4,4'-isopropylidenediphenol Lead
RoHS Compliance Status	Compliant,With Exemption
RoHS Exemption	6(c) 7(a) 7(c)-I 7(c)-II
SCIP notification number (Austria)	4c3c2ea5-2e94-442b-915a-5d1a4401fe9d
SCIP notification number (Belgium)	6f3cc24d-016f-43df-8f10-5ecf14a0d835
SCIP notification number (Bulgaria)	a55753fc-7e73-4a90-a3ed-96120b278e8c
SCIP notification number (Czech Republic)	262dbe65-8354-4473-98dd-9133719ac15f
SCIP notification number (Denmark)	16586496-ae9b-4ffc-8163-617042706c16
SCIP notification number (Finland)	b0d861ae-536a-49be-9ec8-e00133c0cd7c
SCIP notification number (France)	d5037c32-314e-4adc-b19d-59e744a03d3b
SCIP notification number (Germany)	04599cf8-d47d-4150-afaa-ed9af5d28176
SCIP notification number (Hungary)	a40ad6a2-af12-4a11-81cc-719ebee425a5
SCIP notification number (Italy)	2acbb0d2-ac01-4307-8d57-29198b87dbcc

Environmental Product Compliance

SCIP notification number (Netherlands)	514c3669-3293-4257-a314-2ec4f8e3b14c
SCIP notification number (Poland)	0188f463-1661-4795-b547-b3d70d590ea2
SCIP notification number (Romania)	98d09167-c9e2-43bc-9e0b-c38e8516f11c
SCIP notification number (Sweden)	4c271a6a-cb8f-4d2f-8f9c-ee19e56a659

Approvals / Certificates

General approvals



Approval	Standard	Certificate Name
EAC Brjansker Zertifizierungs- stelle	TP TC 020/2011	EAC_Certificate_RU_C- DE.AM02.B.00115_19
EAC Brjansker Zertifizierungs- stelle	TP TC 012/2011	EAC Ex 857 RU_C_DE. AZ_58_B_02148_21 nA (2Ex nA IIC T4 Gc X)
UL Underwriters Laboratories Inc. (ORDINARY LOCATI- ONS)	UL 508	E175199 Sec.4

Declarations of conformity and manufacturer's declarations

Approval	Standard	Certificate Name
EU-Declaration of Confor- mity WAGO GmbH & Co. KG	-	-
UK-Declaration of Confor- mity WAGO GmbH & Co. KG	-	-

Approvals for marine applications



Approval	Standard	Certificate Name
BV Bureau Veritas S.A.	Rules for class. of Steel Ships	40179_B0
DNV DNV Germany GmbH	DNV-CG-0339, Aug.2021	TAA00001D1
PRS Polski Rejestr Statków	-	TE/2186/880590/18

Approvals for hazardous areas



Approval	Standard	Certificate Name
ATEX DEKRA EXAM GmbH	EN 60079-0	BVS_14_ATEX_E_091_X (II 3G Ex ec nC IIC T4 Gc; II 3G Ex ec IIC T4 Gc)
CCC CNEX	CNCA-C23-01	2020312304000757 (Ex ec IIC T4 Gc)
IECEX DEKRA EXAM GmbH	IEC 60079-0	IECEX_BVS_14.0079X_Is- sue_3 (Ex ec nC IIC T4 Gc; Ex ec IIC T4 Gc)
UKEx WAGO GmbH & Co. KG	EN 60079-0	WAGO22UKEX002X_ec

Downloads

Environmental Product Compliance

Compliance Search

Environmental Product
Compliance 857-724



Documentation

Bid Text			
857-724	19.02.2019	xml 4.12 KB	↓
857-724	20.02.2019	docx 16.10 KB	↓

Instruction Leaflet			
CCC Ex (Additional information)	26.04.2023	pdf 129.88 KB	↓

CAD/CAE-Data	
CAD data	CAE data
2D/3D Models 857-724 ↓	EPLAN Data Portal 857-724 ↓
	WSCAD Universe 857-724 ↓
	ZUKEN Portal 857-724 ↓

1 Compatible Products

1.1 Optional Accessories

1.1.1 Basic relay

1.1.1.1 Basic solid-state relay



Item No.: 857-161
 Basic solid-state relay; Nominal input voltage: 24 VDC; Output voltage range: 0 ... 30 VDC; Limiting continuous current: 3 A

1.1.2 Ferrule

1.1.2.1 Ferrule



Item No.: 216-241
 Ferrule; Sleeve for 0.5 mm² / 20 AWG; insulated; electro-tin plated; electrolytic copper; gastight crimped; acc. to DIN 46228, Part 4/09.90; white



Item No.: 216-242
 Ferrule; Sleeve for 0.75 mm² / 18 AWG; insulated; electro-tin plated; electrolytic copper; gastight crimped; acc. to DIN 46228, Part 4/09.90; gray



Item No.: 216-243
 Ferrule; Sleeve for 1 mm² / AWG 18; insulated; electro-tin plated; electrolytic copper; gastight crimped; acc. to DIN 46228, Part 4/09.90; red



Item No.: 216-244
 Ferrule; Sleeve for 1.5 mm² / AWG 16; insulated; electro-tin plated; electrolytic copper; gastight crimped; acc. to DIN 46228, Part 4/09.90; black

1.1.3 Interface module

1.1.3.1 Interface adapters



Item No.: 857-981
 Interface adapter; 14-pole; High-side switching input



Item No.: 857-982
 Interface adapter; 14-pole; High-side switching output



Item No.: 857-986
 Interface adapter; 15-pole; High-side switching input

1.1.4 Jumper

1.1.4.1 Jumper

Item No.: 281-482 Jumper; 2-way; insulated; gray	Item No.: 859-410/000-006 Jumper; for jumper slot; 10-way; insulated; blue	Item No.: 859-410 Jumper; for jumper slot; 10-way; insulated; light gray	Item No.: 859-410/000-005 Jumper; for jumper slot; 10-way; insulated; red
Item No.: 859-410/000-029 Jumper; for jumper slot; 10-way; insulated; yellow	Item No.: 859-402/000-006 Jumper; for jumper slot; 2-way; insulated; blue	Item No.: 859-402 Jumper; for jumper slot; 2-way; insulated; light gray	Item No.: 859-402/000-005 Jumper; for jumper slot; 2-way; insulated; red
Item No.: 859-402/000-029 Jumper; for jumper slot; 2-way; insulated; yellow	Item No.: 859-403/000-006 Jumper; for jumper slot; 3-way; insulated; blue	Item No.: 859-403 Jumper; for jumper slot; 3-way; insulated; light gray	Item No.: 859-403/000-005 Jumper; for jumper slot; 3-way; insulated; red
Item No.: 859-403/000-029 Jumper; for jumper slot; 3-way; insulated; yellow	Item No.: 859-404/000-006 Jumper; for jumper slot; 4-way; insulated; blue	Item No.: 859-404 Jumper; for jumper slot; 4-way; insulated; light gray	Item No.: 859-404/000-005 Jumper; for jumper slot; 4-way; insulated; red
Item No.: 859-404/000-029 Jumper; for jumper slot; 4-way; insulated; yellow	Item No.: 859-405/000-006 Jumper; for jumper slot; 5-way; insulated; blue	Item No.: 859-405 Jumper; for jumper slot; 5-way; insulated; light gray	Item No.: 859-405/000-005 Jumper; for jumper slot; 5-way; insulated; red
Item No.: 859-405/000-029 Jumper; for jumper slot; 5-way; insulated; yellow	Item No.: 859-406/000-006 Jumper; for jumper slot; 6-way; insulated; blue	Item No.: 859-406 Jumper; for jumper slot; 6-way; insulated; light gray	Item No.: 859-406/000-005 Jumper; for jumper slot; 6-way; insulated; red
Item No.: 859-406/000-029 Jumper; for jumper slot; 6-way; insulated; signal yellow	Item No.: 859-407/000-006 Jumper; for jumper slot; 7-way; insulated; blue	Item No.: 859-407 Jumper; for jumper slot; 7-way; insulated; light gray	Item No.: 859-407/000-005 Jumper; for jumper slot; 7-way; insulated; red
Item No.: 859-407/000-029 Jumper; for jumper slot; 7-way; insulated; yellow	Item No.: 859-408/000-006 Jumper; for jumper slot; 8-way; insulated; blue	Item No.: 859-408 Jumper; for jumper slot; 8-way; insulated; light gray	Item No.: 859-408/000-005 Jumper; for jumper slot; 8-way; insulated; red
Item No.: 859-408/000-029 Jumper; for jumper slot; 8-way; insulated; yellow	Item No.: 859-409/000-006 Jumper; for jumper slot; 9-way; insulated; blue	Item No.: 859-409 Jumper; for jumper slot; 9-way; insulated; light gray	Item No.: 859-409/000-005 Jumper; for jumper slot; 9-way; insulated; red
Item No.: 859-409/000-029 Jumper; for jumper slot; 9-way; insulated; yellow			

1.1.5 Marking

1.1.5.1 Double marker carrier

Item No.: 209-128 Adaptor; gray

1.1.5.2 Group marker carrier



Item No.: 249-105

Group marker carrier; gray

1.1.5.3 Marker



Item No.: 209-183

Marker; white



Item No.: 793-5501

WMB marking card; as card; for terminal block width 5 - 17.5 mm; stretchable 5 - 5.2 mm; plain; snap-on type; white



Item No.: 793-502

WMB marking card; as card; MARKED; 1 ... 10 (10x); not stretchable; Horizontal marking; snap-on type; white



Item No.: 793-566

WMB marking card; as card; MARKED; 1 ... 50 (2x); not stretchable; Horizontal marking; snap-on type; white



Item No.: 793-503

WMB marking card; as card; MARKED; 11 ... 20 (10x); not stretchable; Horizontal marking; snap-on type; white



Item No.: 793-504

WMB marking card; as card; MARKED; 21 ... 30 (10x); not stretchable; Horizontal marking; snap-on type; white



Item No.: 793-505

WMB marking card; as card; MARKED; 31 ... 40 (10x); not stretchable; Horizontal marking; snap-on type; white



Item No.: 793-506

WMB marking card; as card; MARKED; 41 ... 50 (10x); not stretchable; Horizontal marking; snap-on type; white



Item No.: 793-501

WMB marking card; as card; not stretchable; plain; snap-on type; white



Item No.: 2009-115

WMB-Inline; for Smart Printer; 1500 pieces on roll; stretchable 5 - 5.2 mm; plain; snap-on type; white

1.1.5.4 Marking devices



Item No.: 210-110

Fiber-tip pen

1.1.5.5 Marking strip



Item No.: 2009-110

Marking strips; for Smart Printer; on reel; not stretchable; plain; snap-on type; white

1.1.5.6 Protective marker cover



Item No.: 209-184

Protection cover; transparent

1.1.6 Tool

1.1.6.1 Operating tool

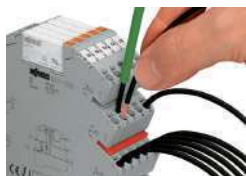


Item No.: 210-720

Operating tool; Blade: 3.5 x 0.5 mm; with a partially insulated shaft; multicoloured

Installation Notes

Conductor termination



Conductor termination

Commoning



Easy commoning using adjacent jumpers

Marking



Marking via WMB Multi Marking System.

Installation



Removing a relay via ejector.