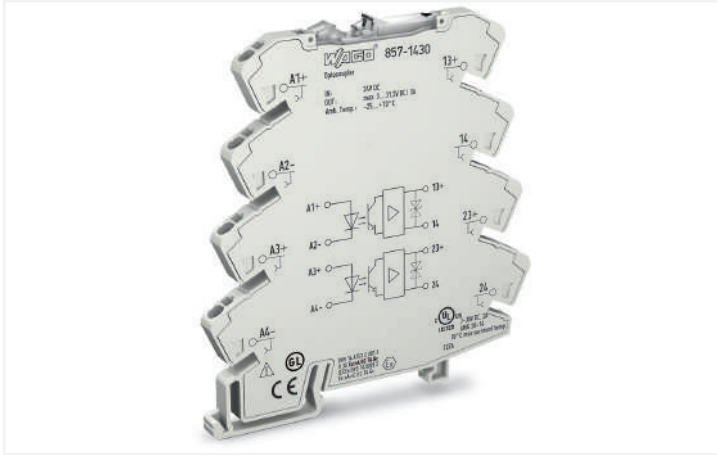


Data Sheet | Item Number: 857-1430

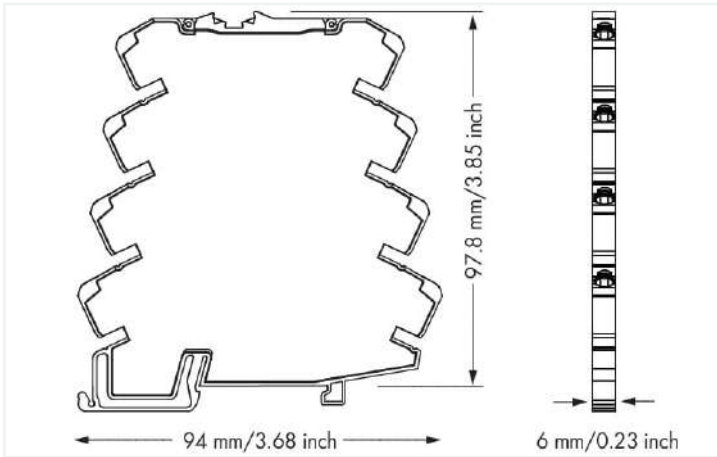
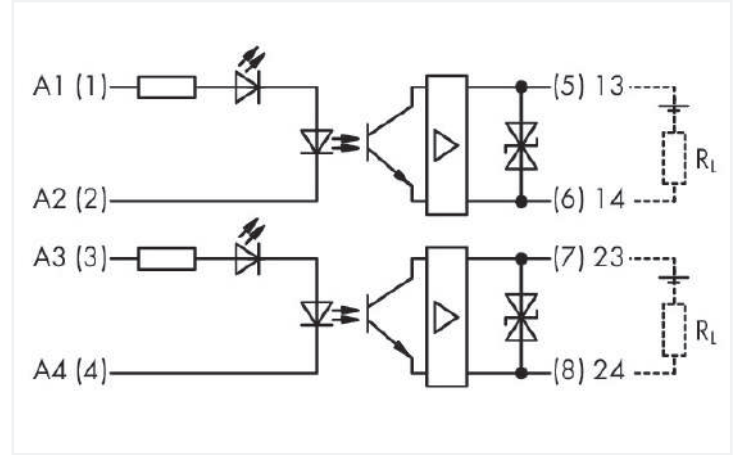
Optocoupler module; 2-port; Nominal input voltage: 24 VDC; Output voltage range: 3 ... 31.2 VDC; Limiting continuous current: 3 A; 2-wire connection; Yellow status indicator; Module width: 6 mm; light gray



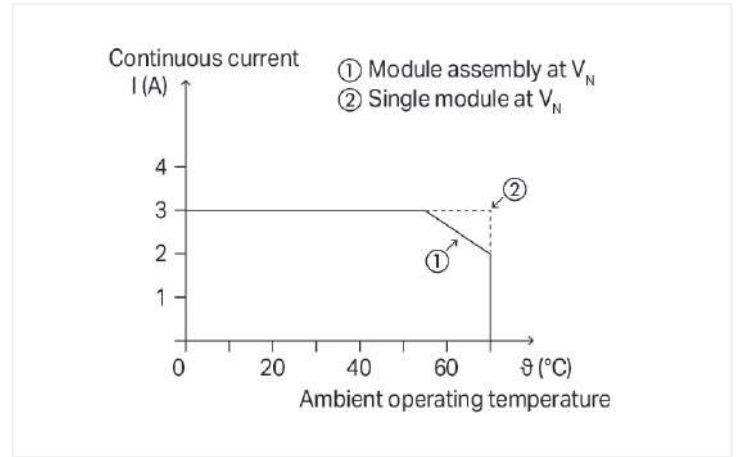
<https://www.wago.com/857-1430>



Color: ■ light gray



Dimensions in mm



Current-carrying capacity curve

Notes

Note

Optocouplers and solid state relays are designed for use in signal processing networks, which are not supplied by the low-voltage power supply networks.

Technical data

Control circuit

Nominal input voltage U_N	DC 24 V
Input voltage range (low level)	DC 0 ... 5 V
Input voltage range (high level)	DC 16.8 ... 31.2 V
Nominal input current at U_N	8 mA

Load circuit

Circuit type	2-way 2-wire connection
Limiting continuous current	3 A
Nominal output voltage	DC 24 V
Output voltage range	DC 3 ... 31.2 V
Voltage drop	≤ 0.2 VDC
Leakage current at rated voltage	≤ 250 μ A
Turn-on time	≤ 25 μ s
Turn-off time	≤ 250 μ s
Switching frequency	≤ 300 Hz

Signaling

Status indicator	Yellow LED
------------------	------------

Safety and protection

Rated voltage	300 V
Overtoltage category	II
Pollution degree	2
Dielectric strength (control/load circuit) (AC, 1 min)	2.5 kVrms
Dielectric strength (channel/channel) (AC, 1 min)	3.5 kVrms
Insulation type (control/load circuit)	Basic insulation
Insulation type (load/load circuit)	Reinforced insulation (safe isolation)
Insulation type (between adjacent devices of the same type)	Reinforced insulation (safe isolation)
Insulation type (to adjacent devices of different types)	Reinforced insulation (safe isolation)
Protection type	IP20

Connection data

Connection technology	Push-in CAGE CLAMP®
Solid conductor	0.34 ... 2.5 mm ² / 22 ... 14 AWG
Fine-stranded conductor	0.34 ... 2.5 mm ² / 22 ... 14 AWG
Fine-stranded conductor; with insulated ferrule	0.34 ... 1.5 mm ² / 22 ... 16 AWG
Strip length	9 ... 10 mm / 0.35 ... 0.39 inches

Physical data

Width	6 mm / 0.236 inches
Height	94 mm / 3.701 inches
Depth from upper-edge of DIN-rail	97.8 mm / 3.85 inches

Mechanical data

Mounting type	DIN-35 rail
Mounting position	horizontal (standing/lying); vertical

Material data

Color	light gray
Fire load	0.418 MJ
Weight	31.5 g

Environmental requirements

Ambient temperature (operation at U_N)	-25 ... +70 °C
Ambient temperature (storage)	-40 ... +70 °C
Processing temperature	-25 ... +50 °C
Temperature range of connection cable	$\geq (T_{\text{ambient}} + 30 \text{ K})$
Relative humidity	5 ... 85 % (no condensation permissible)
Operating altitude (max.)	2000 m

Standards and specifications

Standards/specifications	EN 61000-6-2 EN 61000-6-3 EN 61373 EN 61010-2-201 UL 508 (max. 70 °C/2 A) DNV
--------------------------	--

Commercial data

Product Group	6 (INTERFACE ELECTRONIC)
eCl@ss 10.0	27-26-15-03
eCl@ss 9.0	27-26-15-03
ETIM 8.0	EC001504
ETIM 7.0	EC001504
PU (SPU)	25 (1) pcs
Packaging type	Box
Country of origin	DE
GTIN	4050821451587
Customs tariff number	85365005000

Environmental Product Compliance

CAS-No.	7439-92-1 79-94-7
REACH Candidate List Substance	2,2',6,6'-tetrabromo-4,4'-isopropylidenediphenol Lead
RoHS Compliance Status	Compliant,With Exemption
RoHS Exemption	6(c) 7(a) 7(c)-I 7(c)-II
SCIP notification number (Austria)	7be5277c-4769-437b-ac37-9ccb15dee449
SCIP notification number (Belgium)	7a08602f-6e22-4743-aa55-483e71a8147a
SCIP notification number (Bulgaria)	2c4bc710-e6d3-42da-89dc-a43c4549be01
SCIP notification number (Czech Republic)	d9d876e5-a5f9-43b1-b0d8-2a867c68093e
SCIP notification number (Denmark)	7ed03745-475f-4d76-9946-29517426cf1a
SCIP notification number (Finland)	210d4573-9c78-4b73-b42c-602be9bab4b1
SCIP notification number (France)	7d28594d-b673-4142-8334-0cf9f07060c7
SCIP notification number (Germany)	b6d067ad-1fd0-40d1-9066-62a3bfa0f99e
SCIP notification number (Hungary)	235e6cb9-cdef-42ff-b68e-c7b20968689b
SCIP notification number (Italy)	48f3cdda-333b-4364-b039-00947409dd65
SCIP notification number (Netherlands)	4ecba9a5-ea21-462f-8c13-e30b2cfa7980
SCIP notification number (Poland)	2c586d49-820a-4faf-9151-f6effbfbf74b
SCIP notification number (Romania)	d7f6abbb-acda-4605-a1cd-5eaa83bcbd2a
SCIP notification number (Sweden)	29327227-3067-4519-87a2-4db1f2e05509

Approvals / Certificates

General approvals



Approval	Standard	Certificate Name
EAC Brjansker Zertifizierungs- stelle	TP TC 020/2011	EAC_Certificate_RU_C- DE.AM02.B.00115_19
EAC Brjansker Zertifizierungs- stelle	TP TC 012/2011	EAC Ex 857 RU_C_DE. AZ_58_B_02148_21 nA (2Ex nA IIC T4 Gc X)

General approvals

UL	UL 508	E175199 Sec.4
Underwriters Laboratories Inc. (ORDINARY LOCATI- ONS)		

Declarations of conformity and manufacturer's declarations

Approval	Standard	Certificate Name
EU-Declaration of Conformity WAGO GmbH & Co. KG	-	-

Approvals for marine applications



Approval	Standard	Certificate Name
BV Bureau Veritas S.A.	Rules for class. of Steel Ships	40179_B0
DNV DNV Germany GmbH	DNV-CG-0339, Aug. 2021	TAA00001D1
PRS Polski Rejestr Statków	-	TE/2186/880590/18

Approvals for hazardous areas



Approval	Standard	Certificate Name
ATEX DEKRA EXAM GmbH	EN 60079-0	BVS_14_ATEX_E_091_X (II 3G Ex ec nC IIC T4 Gc; II 3G Ex ec IIC T4 Gc)
CCC CNEX	CNCA-C23-01	2020312304000757 (Ex ec IIC T4 Gc)
IECEX DEKRA EXAM GmbH	IEC 60079-0	IECEX_BVS_14.0079X_Is-sue_3 (Ex ec nC IIC T4 Gc; Ex ec IIC T4 Gc)
UKEx WAGO GmbH & Co. KG	EN 60079-0	WAGO22UKEX002X_ec

Downloads

Environmental Product Compliance

Compliance Search	
Environmental Product Compliance 857-1430	↓

Documentation

Bid Text			
857-1430	19.02.2019	xml 3.86 KB	↓
857-1430	20.02.2019	docx 16.09 KB	↓

Instruction Leaflet			
CCC Ex (Additional information)	26.04.2023	pdf 129.88 KB	↓

CAD/CAE-Data

CAD data	
2D/3D Models 857-1430	↓

CAE data	
EPLAN Data Portal 857-1430	↓
WSCAD Universe 857-1430	↓
ZUKEN Portal 857-1430	↓

1 Compatible Products

1.1 Optional Accessories

1.1.1 Ferrule

1.1.1.1 Ferrule



Item No.: 216-241
 Ferrule; Sleeve for 0.5 mm² / 20 AWG; insulated; electro-tin plated; electrolytic copper; gastight crimped; acc. to DIN 46228, Part 4/09.90; white

Item No.: 216-242
 Ferrule; Sleeve for 0.75 mm² / 18 AWG; insulated; electro-tin plated; electrolytic copper; gastight crimped; acc. to DIN 46228, Part 4/09.90; gray

Item No.: 216-243
 Ferrule; Sleeve for 1 mm² / AWG 18; insulated; electro-tin plated; electrolytic copper; gastight crimped; acc. to DIN 46228, Part 4/09.90; red

Item No.: 216-244
 Ferrule; Sleeve for 1.5 mm² / AWG 16; insulated; electro-tin plated; electrolytic copper; gastight crimped; acc. to DIN 46228, Part 4/09.90; black

1.1.2 Jumper

1.1.2.1 Jumper



Item No.: 281-482
 Jumper; 2-way; insulated; gray

Item No.: 859-410/000-006
 Jumper; for jumper slot; 10-way; insulated; blue

Item No.: 859-410
 Jumper; for jumper slot; 10-way; insulated; light gray

Item No.: 859-410/000-005
 Jumper; for jumper slot; 10-way; insulated; red



Item No.: 859-410/000-029
 Jumper; for jumper slot; 10-way; insulated; yellow

Item No.: 859-402/000-006
 Jumper; for jumper slot; 2-way; insulated; blue

Item No.: 859-402
 Jumper; for jumper slot; 2-way; insulated; light gray

Item No.: 859-402/000-005
 Jumper; for jumper slot; 2-way; insulated; red



Item No.: 859-402/000-029
 Jumper; for jumper slot; 2-way; insulated; yellow

Item No.: 859-403/000-006
 Jumper; for jumper slot; 3-way; insulated; blue

Item No.: 859-403
 Jumper; for jumper slot; 3-way; insulated; light gray

Item No.: 859-403/000-005
 Jumper; for jumper slot; 3-way; insulated; red



Item No.: 859-403/000-029
 Jumper; for jumper slot; 3-way; insulated; yellow

Item No.: 859-404/000-006
 Jumper; for jumper slot; 4-way; insulated; blue

Item No.: 859-404
 Jumper; for jumper slot; 4-way; insulated; light gray

Item No.: 859-404/000-005
 Jumper; for jumper slot; 4-way; insulated; red



Item No.: 859-404/000-029
 Jumper; for jumper slot; 4-way; insulated; yellow

Item No.: 859-405/000-006
 Jumper; for jumper slot; 5-way; insulated; blue

Item No.: 859-405
 Jumper; for jumper slot; 5-way; insulated; light gray

Item No.: 859-405/000-005
 Jumper; for jumper slot; 5-way; insulated; red



Item No.: 859-405/000-029
 Jumper; for jumper slot; 5-way; insulated; yellow

Item No.: 859-406/000-006
 Jumper; for jumper slot; 6-way; insulated; blue

Item No.: 859-406
 Jumper; for jumper slot; 6-way; insulated; light gray

Item No.: 859-406/000-005
 Jumper; for jumper slot; 6-way; insulated; red

1.1.2.1 Jumper



Item No.: 859-406/000-029
 Jumper; for jumper slot; 6-way; insulated; signal yellow

Item No.: 859-407/000-006
 Jumper; for jumper slot; 7-way; insulated; blue

Item No.: 859-407
 Jumper; for jumper slot; 7-way; insulated; light gray

Item No.: 859-407/000-005
 Jumper; for jumper slot; 7-way; insulated; red



Item No.: 859-407/000-029
 Jumper; for jumper slot; 7-way; insulated; yellow

Item No.: 859-408/000-006
 Jumper; for jumper slot; 8-way; insulated; blue

Item No.: 859-408
 Jumper; for jumper slot; 8-way; insulated; light gray

Item No.: 859-408/000-005
 Jumper; for jumper slot; 8-way; insulated; red



Item No.: 859-408/000-029
 Jumper; for jumper slot; 8-way; insulated; yellow

Item No.: 859-409/000-006
 Jumper; for jumper slot; 9-way; insulated; blue

Item No.: 859-409
 Jumper; for jumper slot; 9-way; insulated; light gray

Item No.: 859-409/000-005
 Jumper; for jumper slot; 9-way; insulated; red



Item No.: 859-409/000-029
 Jumper; for jumper slot; 9-way; insulated; yellow

1.1.3 Marking

1.1.3.1 Double marker carrier



Item No.: 209-128
 Adaptor; gray

1.1.3.2 Group marker carrier



Item No.: 249-105
 Group marker carrier; gray

1.1.3.3 Marker



Item No.: 209-183
 Marker; white

Item No.: 793-5501
 WMB marking card; as card; for terminal block width 5 - 17.5 mm; stretchable 5 - 5.2 mm; plain; snap-on type; white

Item No.: 793-502
 WMB marking card; as card; MARKED; 1 ... 10 (10x); not stretchable; Horizontal marking; snap-on type; white

Item No.: 793-566
 WMB marking card; as card; MARKED; 1 ... 50 (2x); not stretchable; Horizontal marking; snap-on type; white



Item No.: 793-503
 WMB marking card; as card; MARKED; 11 ... 20 (10x); not stretchable; Horizontal marking; snap-on type; white

Item No.: 793-504
 WMB marking card; as card; MARKED; 21 ... 30 (10x); not stretchable; Horizontal marking; snap-on type; white

Item No.: 793-505
 WMB marking card; as card; MARKED; 31 ... 40 (10x); not stretchable; Horizontal marking; snap-on type; white

Item No.: 793-506
 WMB marking card; as card; MARKED; 41 ... 50 (10x); not stretchable; Horizontal marking; snap-on type; white



Item No.: 793-501
 WMB marking card; as card; not stretchable; plain; snap-on type; white

Item No.: 2009-115
 WMB-Inline; for Smart Printer; 1500 pieces on roll; stretchable 5 - 5.2 mm; plain; snap-on type; white

1.1.3.4 Marking devices



Item No.: 210-110

Fiber-tip pen

1.1.3.5 Marking strip



Item No.: 2009-110

Marking strips; for Smart Printer; on reel; not stretchable; plain; snap-on type; white

1.1.3.6 Protective marker cover



Item No.: 209-184

Protection cover; transparent

1.1.4 Tool

1.1.4.1 Operating tool



Item No.: 210-720

Operating tool; Blade: 3.5 x 0.5 mm; with a partially insulated shaft; multicoloured

Installation Notes

Conductor termination



Conductor termination

Commoning



Easy commoning using adjacent jumpers

Marking



Marking via WMB Multi Marking System.