

## Data Sheet | Item Number: 788-754

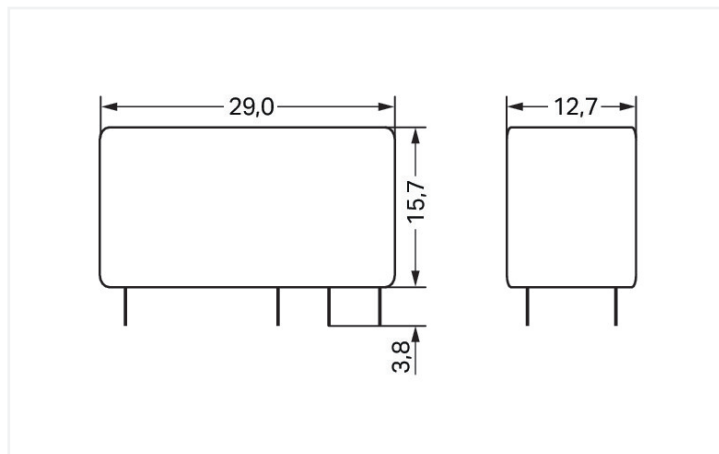
Basic solid-state relay; Nominal input voltage: 24 VDC; Output voltage range: 0 ... 35 VDC; Limiting continuous current: 5 A; Module width: 12 mm; Module height: 15 mm



<https://www.wago.com/788-754>



Similar to illustration



Dimensions in mm

### Notes

Note

Optocouplers and solid state relays are designed for use in signal processing networks, which are not supplied by the low-voltage power supply networks.

### Technical data

#### Control circuit

Nominal input voltage $U_N$	DC 24 V
Input voltage range (low level)	DC 0 ... 9 V
Input voltage range (high level)	DC 10 ... 30 V
Nominal input current at $U_N$	11 mA

#### Load circuit

Circuit type	2-wire connection
Limiting continuous current	5 A
Nominal output voltage	DC 24 V
Output voltage range	DC 0 ... 35 V
Voltage drop	$\leq 0,3$ VDC
Switching current (min.)	1 mA
Turn-on time	$\leq 50$ $\mu$ s
Turn-off time	$\leq 250$ $\mu$ s
Switching frequency	$\leq 3$ kHz

### Signaling

Status indicator	Green LED
------------------	-----------

### Safety and protection

Dielectric strength (control/load circuit) (AC, 1 min)	3.51 kVrms
--	------------

### Physical data

Width	12.7 mm / 0.5 inches
Height from the surface	15.7 mm / 0.618 inches
Depth	29 mm / 1.142 inches

### Mechanical data

Mounting type	Pluggable module
---------------	------------------

### Material data

Fire load	0 MJ
Weight	4 g

### Environmental requirements

Ambient temperature (operation at $U_N$ )	-30 ... +80 °C
Ambient temperature (storage)	-40 ... +100 °C

### Standards and specifications

Standards/specifications	EN 61010-2-201 EN 61000-6-2 EN 61000-6-3 EN 61373
--------------------------	--

### Commercial data

ETIM 8.0	EC001504
ETIM 7.0	EC001504
PU (SPU)	20 pcs
Packaging type	Box
Country of origin	DE
GTIN	4055143919258
Customs tariff number	85364190890

### Environmental Product Compliance

RoHS Compliance Status	Compliant, No Exemption
------------------------	-------------------------

### Approvals / Certificates

#### General approvals



Approval	Standard	Certificate Name
UL Underwriters Laboratories Inc.	UL 508	E340707

### Downloads

#### Environmental Product Compliance

Compliance Search

Environmental Product  
Compliance 788-754



Documentation

Bid Text

xml  
4.30 KB



docx  
13.82 KB



CAD/CAE-Data

CAD data

2D/3D Models 788-754

