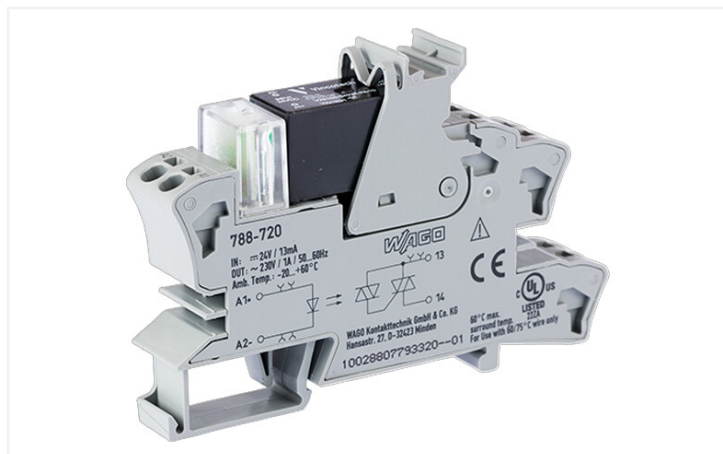


Data Sheet | Item Number: 788-720

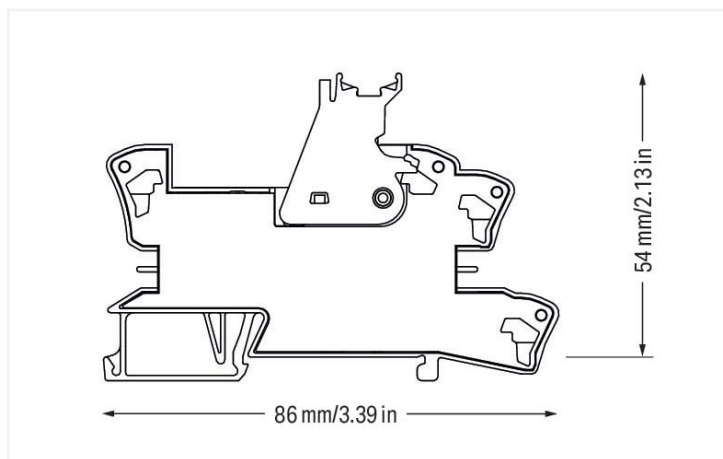
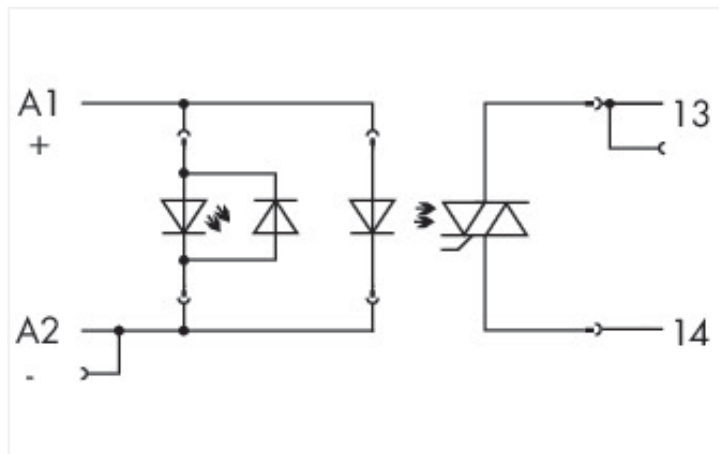
Solid-state relay module; Nominal input voltage: 24 VDC; Output voltage range: 24 ... 240 VAC; Limiting continuous current: 1 A; 2-wire connection; zero-cross switching; Red status indicator; Module width: 15 mm; gray



<https://www.wago.com/788-720>



Color: ■ gray



Dimensions in mm

Notes

Note

A separator plate (e.g., 209-191) must be used for voltages greater than 250 V between adjacent relay modules and for compliance with the reinforced insulation requirements.

Technical data

Control circuit

| | |
|----------------------------------|----------------|
| Nominal input voltage U_N | DC 24 V |
| Input voltage range (low level) | DC 0 ... 4 V |
| Input voltage range (high level) | DC 18 ... 30 V |
| Nominal input current at U_N | 7 mA |

Load circuit

| | |
|-----------------------------|---|
| Circuit type | 2-wire connection Zero-voltage switching |
| Limiting continuous current | 1 A |
| Nominal output voltage | AC 230 V |
| Output voltage range | AC 24 ... 240 V |
| Voltage drop | ≤ 1.1 VAC |
| Turn-on time | ≤ 10 ms |
| Turn-off time | ≤ 10 ms |
| Switching frequency | 50 Hz / 60 Hz |

Signaling

| | |
|------------------|---------|
| Status indicator | Red LED |
|------------------|---------|

Safety and protection

| | |
|--|------------|
| Pollution degree | 2 |
| Dielectric strength (control/load circuit) (AC, 1 min) | 3.75 kVrms |
| Protection type | IP20 |

Connection data

| | |
|-------------------------|--|
| Connection technology | Push-in CAGE CLAMP® |
| Solid conductor | 0.34 ... 2.5 mm ² / 22 ... 14 AWG |
| Fine-stranded conductor | 0.34 ... 2.5 mm ² / 22 ... 14 AWG |
| Strip length | 9 ... 10 mm / 0.35 ... 0.39 inches |

Physical data

| | |
|------------------------------------|----------------------|
| Width | 15 mm / 0.591 inches |
| Height from upper-edge of DIN-rail | 54 mm / 2.126 inches |
| Depth | 86 mm / 3.386 inches |

Mechanical data

| | |
|---------------|-------------|
| Mounting type | DIN-35 rail |
|---------------|-------------|

Material data

| | |
|-----------|----------|
| Color | gray |
| Fire load | 0.693 MJ |
| Weight | 41.3 g |

Environmental requirements

| | |
|--|--|
| Ambient temperature (operation at U_N) | -20 ... +60 °C |
| Ambient temperature UL (operation at U_N) | -40 ... +60 °C |
| Ambient temperature (storage) | -40 ... +70 °C |
| Processing temperature | -25 ... +50 °C |
| Temperature range of connection cable | $\geq (T_{\text{ambient}} + 20 \text{ K})$ |

Standards and specifications

| | |
|--------------------------|---|
| Standards/specifications | EN 61000-6-2 EN 61000-6-3 EN 61373 EN 61010-2-201 UL 508 (max. 40 °C/2.5 A) |
|--------------------------|---|

| Commercial data | |
|-----------------------|--------------------------|
| Product Group | 6 (INTERFACE ELECTRONIC) |
| eCl@ss 10.0 | 27-26-15-03 |
| eCl@ss 9.0 | 27-26-15-03 |
| ETIM 8.0 | EC001504 |
| ETIM 7.0 | EC001504 |
| PU (SPU) | 20 (1) pcs |
| Packaging type | Box |
| Country of origin | DE |
| GTIN | 4045454743888 |
| Customs tariff number | 85365005000 |

| Environmental Product Compliance | |
|----------------------------------|-------------------------|
| RoHS Compliance Status | Compliant, No Exemption |

Approvals / Certificates

| General approvals | | | Declarations of conformity and manufacturer's declarations | | |
|---|----------------|---|--|----------|------------------|
| | | | | | |
| Approval | Standard | Certificate Name | Approval | Standard | Certificate Name |
| EAC Brjansker Zertifizierungsstelle | TP TC 020/2011 | EAC_Certificate_RU_C-DE.AM02.B.00115_19 | EU-Declaration of Conformity WAGO GmbH & Co. KG | - | - |
| EAC Brjansker Zertifizierungsstelle | TP TC 004/2011 | EAC RU C-DE.AM02.B.00122/19 | | | |
| UL Underwriters Laboratories Inc. (ORDINARY LOCATIONS) | UL 508 | E175199 Vol.1 Sec.6 | | | |

Downloads


| Environmental Product Compliance | |
|--|-------------------|
| Compliance Search | |
| Environmental Product Compliance 788-720 | ↓ |

Documentation

| Bid Text | | | | Instruction Leaflet | | | |
|----------|------------|------------------|-------------------|------------------------------------|-----------------------|-------------------|-------------------|
| 788-720 | 19.02.2019 | xml 4.04 KB | ↓ | Sockets with Elementary Relay/ SSR | V 1.0.1 09.10.2020 | pdf 2271.22 KB | ↓ |
| 788-720 | 20.02.2019 | docx 15.63 KB | ↓ | | | | |

CAD/CAE-Data

CAD data

2D/3D Models 788-720 

CAE data

EPLAN Data Portal 788-720 

WSCAD Universe 788-720 

ZUKEN Portal 788-720 

1 Compatible Products

1.1 Optional Accessories

1.1.1 Ferrule

1.1.1.1 Ferrule



Item No.: 216-241
 Ferrule; Sleeve for 0.5 mm² / 20 AWG; insulated; electro-tin plated; electrolytic copper; gastight crimped; acc. to DIN 46228, Part 4/09.90; white

Item No.: 216-242
 Ferrule; Sleeve for 0.75 mm² / 18 AWG; insulated; electro-tin plated; electrolytic copper; gastight crimped; acc. to DIN 46228, Part 4/09.90; gray

Item No.: 216-243
 Ferrule; Sleeve for 1 mm² / AWG 18; insulated; electro-tin plated; electrolytic copper; gastight crimped; acc. to DIN 46228, Part 4/09.90; red

Item No.: 216-244
 Ferrule; Sleeve for 1.5 mm² / AWG 16; insulated; electro-tin plated; electrolytic copper; gastight crimped; acc. to DIN 46228, Part 4/09.90; black

Item No.: 216-542
 Twin ferrule; Sleeve for 2 x 1 mm² / AWG 2 x 18; red, insulated; 12 mm long; red

1.1.2 Indicators

1.1.2.1 Status indication



Item No.: 788-120
 Accessories for relay modules; Operation status indicator: red; Nominal operating voltage: 24 VDC

1.1.3 Jumper

1.1.3.1 Jumper



Item No.: 788-118
 Jumper; for jumper slot; 2-way; from 1 to 3; insulated; light gray

Item No.: 788-113
 Jumper; for jumper slot; 2-way; insulated; light gray

Item No.: 859-402
 Jumper; for jumper slot; 2-way; insulated; light gray

Item No.: 788-114
 Jumper; for jumper slot; 3-way; insulated; light gray



Item No.: 788-115
 Jumper; for jumper slot; 4-way; insulated; light gray

Item No.: 788-116
 Jumper; for jumper slot; 6-way; insulated; light gray

Item No.: 788-117
 Jumper; for jumper slot; 8-way; insulated; light gray

1.1.4 Marking

1.1.4.1 Double marker carrier



Item No.: 209-128
Adaptor; gray

1.1.4.2 Group marker carrier



Item No.: 249-105
Group marker carrier; gray



Item No.: 209-145
Group marker carrier; white

1.1.4.3 Marker



Item No.: 209-183
Marker; white



Item No.: 793-502
WMB marking card; as card; MARKED; 1 ... 10 (10x); not stretchable; Horizontal marking; snap-on type; white



Item No.: 793-503
WMB marking card; as card; MARKED; 11 ... 20 (10x); not stretchable; Horizontal marking; snap-on type; white



Item No.: 793-504
WMB marking card; as card; MARKED; 21 ... 30 (10x); not stretchable; Horizontal marking; snap-on type; white



Item No.: 793-505
WMB marking card; as card; MARKED; 31 ... 40 (10x); not stretchable; Horizontal marking; snap-on type; white



Item No.: 793-501
WMB marking card; as card; not stretchable; plain; snap-on type; white



Item No.: 2009-115
WMB-Inline; for Smart Printer; 1500 pieces on roll; stretchable 5 - 5.2 mm; plain; snap-on type; white

1.1.4.4 Marking devices



Item No.: 210-110
Fiber-tip pen

1.1.4.5 Marking strip



Item No.: 2009-110
Marking strips; for Smart Printer; on reel; not stretchable; plain; snap-on type; white

1.1.4.6 Protective marker cover



Item No.: 209-184
Protection cover; transparent

1.1.5 Tool

1.1.5.1 Operating tool

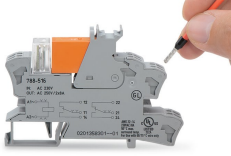


Item No.: 210-720

Operating tool; Blade: 3.5 x 0.5 mm; with a partially insulated shaft; multicoloured

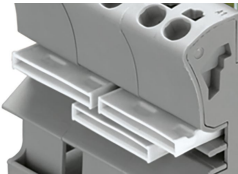
Installation Notes

Conductor termination



Conductor termination

Commoning



Easy commoning using adjacent jumpers

Marking



Marking using WMB Multi markers and group marker carriers.