

# Data Sheet | Item Number: 788-710

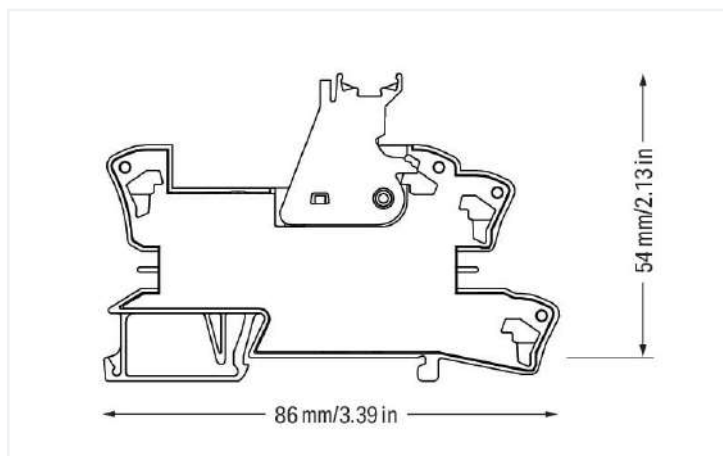
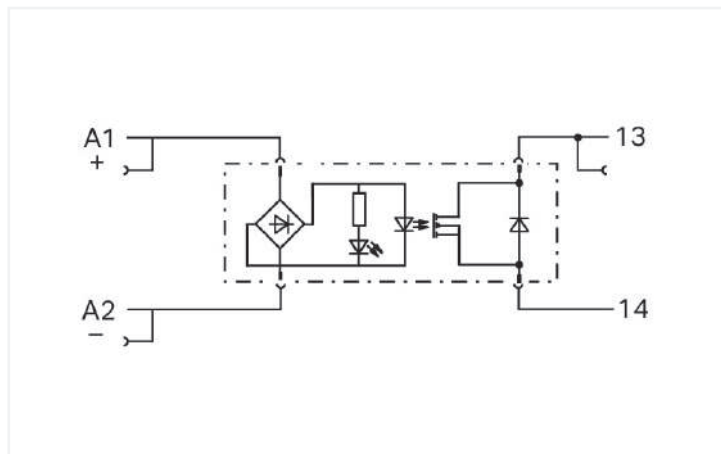
Solid-state relay module; Nominal input voltage: 24 VDC; Output voltage range: 0 ... 35 VDC; Limiting continuous current: 5 A; 2-wire connection; Green status indicator; Module width: 15 mm



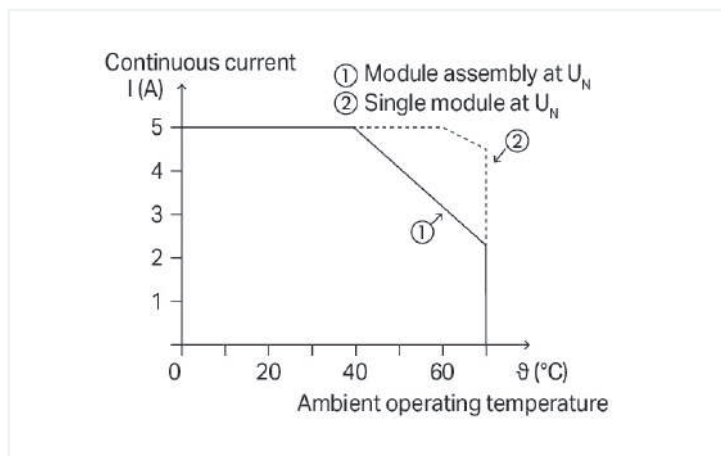
<https://www.wago.com/788-710>



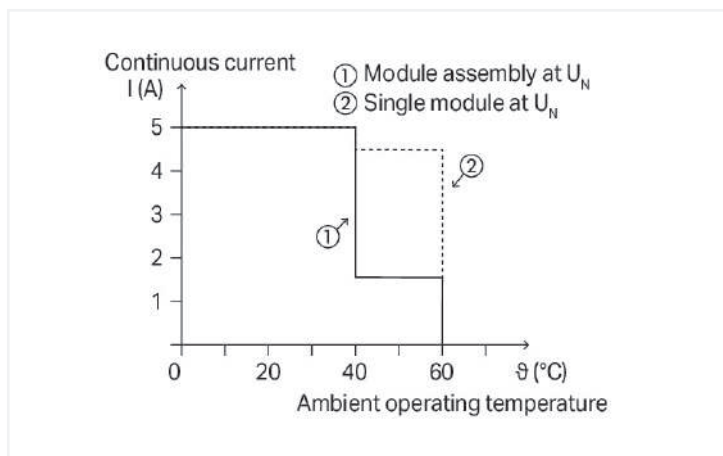
Color: ■ gray



Dimensions in mm



Current-carrying capacity curve



Current carrying capacity curve UL

## Notes

Note

Optocouplers and solid state relays are designed for use in signal processing networks, which are not supplied by the low-voltage power supply networks.

## Technical data

## Control circuit

Nominal input voltage $U_N$	DC 24 V
Input voltage range (low level)	DC 0 ... 3 V
Input voltage range (high level)	DC 10 ... 30 V
Nominal input current at $U_N$	20 mA
Power loss (max.) $P_{I(max)}$	0.5 W

## Load circuit

Circuit type	2-wire connection
Limiting continuous current	5 A; 4.5 A (UL)
Nominal output voltage	DC 24 V
Output voltage range	DC 0 ... 35 V
Voltage drop	$\leq 0.3$ VDC
Switching current (min.)	1 mA
Turn-on time	$\leq 50$ $\mu$ s
Turn-off time	$\leq 250$ $\mu$ s
Switching frequency	$\leq 3$ kHz

## Signaling

Status indicator	Green LED
------------------	-----------

## Safety and protection

Rated voltage	300 V
Overvoltage category	II
Pollution degree	2
Dielectric strength (control/load circuit) (AC, 1 min)	3.51 kVrms
Insulation type (control/load circuit)	Reinforced insulation (safe isolation)
Insulation type (between adjacent devices of the same type)	Double insulation (safe isolation)
Insulation type (to adjacent devices of different types)	Basic insulation
Protection type	IP20

## Connection data

Connection technology	Push-in CAGE CLAMP®
Solid conductor	0.34 ... 2.5 mm <sup>2</sup> / 22 ... 14 AWG
Fine-stranded conductor	0.34 ... 2.5 mm <sup>2</sup> / 22 ... 14 AWG
Strip length	9 ... 10 mm / 0.35 ... 0.39 inches

## Physical data

Width	15 mm / 0.591 inches
Height from upper-edge of DIN-rail	54 mm / 2.126 inches
Depth	86 mm / 3.386 inches

### Mechanical data

Mounting type	DIN-35 rail
---------------	-------------

### Material data

Color	gray
Fire load	0.656 MJ
Weight	41.6 g

### Environmental requirements

Ambient temperature (operation at $U_N$ )	-25 ... +70 °C
Ambient temperature UL (operation at $U_N$ )	-25 ... +60 °C
Ambient temperature (storage)	-40 ... +85 °C
Processing temperature	-25 ... +50 °C
Temperature range of connection cable	$\geq (T_{\text{ambient}} + 35 \text{ K})$
Relative humidity	$\leq 95\%$ (no condensation permissible)
Operating altitude (max.)	2000 m

### Standards and specifications

Standards/specifications	EN 61010-2-201 EN 61000-6-2 EN 61000-6-3 EN 61373
--------------------------	--

### Basic relay

WAGO Basic Relay	788-754
------------------	---------

### Commercial data

ETIM 8.0	EC001504
ETIM 7.0	EC001504
PU (SPU)	8 pcs
Packaging type	Box
Country of origin	DE
GTIN	4055143900058
Customs tariff number	85365005000

### Environmental Product Compliance

RoHS Compliance Status	Compliant, No Exemption
------------------------	-------------------------

### Approvals / Certificates

#### General approvals



Approval	Standard	Certificate Name
EAC Brjansker Zertifizierungs- stelle	TP TC 020/2011	EAC_Certificate_RU_C- DE.AM02.B.00115_19
UL Underwriters Laboratories Inc. (ORDINARY LOCATI- ONS)	UL 61010-2-201	E175199

#### Declarations of conformity and manufacturer's declarations

Approval	Standard	Certificate Name
EU-Declaration of Confor- mity WAGO GmbH & Co. KG	-	-

## Downloads

### Environmental Product Compliance

Compliance Search			
Environmental Product Compliance 788-710			<a href="#">↓</a>

## Documentation

Bid Text			
788-710	20.02.2019	xml 4.44 KB	<a href="#">↓</a>
788-710	08.01.2019	docx 15.81 KB	<a href="#">↓</a>

Instruction Leaflet			
Sockets with Elementary Relay/ SSR	V 1.0.1 09.10.2020	pdf 2271.22 KB	<a href="#">↓</a>

## CAD/CAE-Data

CAE data	
EPLAN Data Portal 788-710	<a href="#">↓</a>

## 1 Compatible Products

### 1.1 Optional Accessories

#### 1.1.1 Basic relay

##### 1.1.1.1 Basic solid-state relay



**Item No.: 788-754**  
 Basic solid-state relay; Nominal input voltage: 24 VDC; Output voltage range: 0 ... 35 VDC; Limiting continuous current: 5 A; Module width: 12 mm; Module height: 15 mm

#### 1.1.2 Ferrule

##### 1.1.2.1 Ferrule



**Item No.: 216-241**  
 Ferrule; Sleeve for 0.5 mm<sup>2</sup> / 20 AWG; insulated; electro-tin plated; electrolytic copper; gastight crimped; acc. to DIN 46228, Part 4/09.90; white



**Item No.: 216-242**  
 Ferrule; Sleeve for 0.75 mm<sup>2</sup> / 18 AWG; insulated; electro-tin plated; electrolytic copper; gastight crimped; acc. to DIN 46228, Part 4/09.90; gray



**Item No.: 216-243**  
 Ferrule; Sleeve for 1 mm<sup>2</sup> / AWG 18; insulated; electro-tin plated; electrolytic copper; gastight crimped; acc. to DIN 46228, Part 4/09.90; red



**Item No.: 216-244**  
 Ferrule; Sleeve for 1.5 mm<sup>2</sup> / AWG 16; insulated; electro-tin plated; electrolytic copper; gastight crimped; acc. to DIN 46228, Part 4/09.90; black

**Item No.: 216-542**  
 Twin ferrule; Sleeve for 2 x 1 mm<sup>2</sup> / AWG 2 x 18; red, insulated; 12 mm long; red

### 1.1.3 Jumper

#### 1.1.3.1 Jumper



**Item No.: 788-118**

Jumper; for jumper slot; 2-way; from 1 to 3; insulated; light gray



**Item No.: 788-113**

Jumper; for jumper slot; 2-way; insulated; light gray



**Item No.: 859-402**

Jumper; for jumper slot; 2-way; insulated; light gray



**Item No.: 788-114**

Jumper; for jumper slot; 3-way; insulated; light gray



**Item No.: 788-115**

Jumper; for jumper slot; 4-way; insulated; light gray



**Item No.: 788-116**

Jumper; for jumper slot; 6-way; insulated; light gray



**Item No.: 788-117**

Jumper; for jumper slot; 8-way; insulated; light gray

### 1.1.4 Marking

#### 1.1.4.1 Double marker carrier



**Item No.: 209-128**

Adaptor; gray

#### 1.1.4.2 Group marker carrier



**Item No.: 249-105**

Group marker carrier; gray



**Item No.: 209-145**

Group marker carrier; white

#### 1.1.4.3 Marker



**Item No.: 209-183**

Marker; white



**Item No.: 793-502**

WMB marking card; as card; MARKED; 1 ... 10 (10x); not stretchable; Horizontal marking; snap-on type; white



**Item No.: 793-503**

WMB marking card; as card; MARKED; 11 ... 20 (10x); not stretchable; Horizontal marking; snap-on type; white



**Item No.: 793-504**

WMB marking card; as card; MARKED; 21 ... 30 (10x); not stretchable; Horizontal marking; snap-on type; white



**Item No.: 793-505**

WMB marking card; as card; MARKED; 31 ... 40 (10x); not stretchable; Horizontal marking; snap-on type; white



**Item No.: 793-501**

WMB marking card; as card; not stretchable; plain; snap-on type; white



**Item No.: 2009-115**

WMB-Inline; for Smart Printer; 1500 pieces on roll; stretchable 5 - 5.2 mm; plain; snap-on type; white

#### 1.1.4.4 Marking devices



**Item No.: 210-110**

Fiber-tip pen

### 1.1.4.5 Marking strip



**Item No.: 2009-110**

Marking strips; for Smart Printer; on reel; not stretchable; plain; snap-on type; white

### 1.1.4.6 Protective marker cover



**Item No.: 209-184**

Protection cover; transparent

## 1.1.5 Tool

### 1.1.5.1 Operating tool

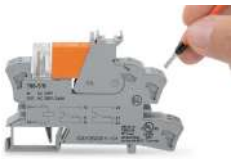


**Item No.: 210-720**

Operating tool; Blade: 3.5 x 0.5 mm; with a partially insulated shaft; multicoloured

## Installation Notes

### Conductor termination



Conductor termination

### Commoning



Easy commoning using adjacent jumpers

## Marking



Marking using WMB Multi markers and group marker carriers.