

Data Sheet | Item Number: 286-752

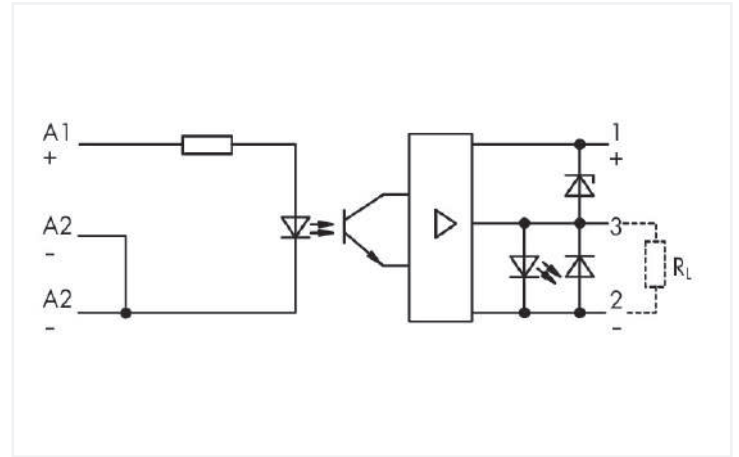
Optocoupler module; Nominal input voltage: 24 VDC; Output voltage range: 20 ... 30 VDC; Limiting continuous current: 0.5 A; 3-wire connection/high-side switching; Frequency: 25 kHz; Red status indicator; Module width: 15 mm; gray



<https://www.wago.com/286-752>



Color: ■ gray



Technical data

Control circuit

| | |
|----------------------------------|----------------|
| Nominal input voltage U_N | DC 24 V |
| Input voltage range (high level) | DC 12 ... 30 V |
| Nominal input current at U_N | 15 mA |
| Input current range | 5 ... 20 mA |

Load circuit

| | |
|---|--|
| Circuit type | 3-wire connection High-side switching |
| Limiting continuous current | 0.5 A |
| Nominal output voltage | DC 24 V |
| Output voltage range | DC 20 ... 30 V |
| Voltage drop | ≤ 1.2 VDC |
| Leakage current at rated voltage | ≤ 2 μ A |
| Output closed-circuit current (without load) max. | 12 mA |
| Turn-on time | ≤ 7 μ s |
| Turn-off time | ≤ 15 μ s |
| Switching frequency | ≤ 25 kHz |

Signaling

| | |
|------------------|---------|
| Status indicator | Red LED |
|------------------|---------|

Safety and protection

| | |
|--|--|
| Rated voltage | 300 V |
| Overvoltage category | II |
| Pollution degree | 2 |
| Dielectric strength (control/load circuit) (AC, 1 min) | 3 kVrms |
| Insulation type (control/load circuit) | Reinforced insulation (safe isolation) |
| Insulation type (adjacent devices) | Reinforced insulation (safe isolation) |
| Protection type | IP20 |

Physical data

| | |
|------------------------------------|-----------------------|
| Width | 15 mm / 0.591 inches |
| Height from upper-edge of DIN-rail | 82.5 mm / 3.25 inches |
| Depth | 52 mm / 2.047 inches |

Mechanical data

| | |
|---------------|---|
| Mounting type | Pluggable module for receptacle terminal blocks |
|---------------|---|

Material data

| | |
|-----------|----------|
| Color | gray |
| Fire load | 0.345 MJ |
| Weight | 17.9 g |

Environmental requirements

| | |
|---|--|
| Ambient temperature (operation at U_N) | -25 ... +40 °C |
| Ambient temperature (storage) | -25 ... +40 °C |
| Processing temperature | -25 ... +50 °C |
| Relative humidity | 5 ... 95 % (no condensation permissible) |
| Operating altitude (max.) | 2000 m |

Standards and specifications

| | |
|--------------------------|------------|
| Standards/specifications | EN 60664-1 |
|--------------------------|------------|

Commercial data

| | |
|-----------------------|--------------------------|
| Product Group | 6 (INTERFACE ELECTRONIC) |
| eCl@ss 10.0 | 27-26-15-03 |
| eCl@ss 9.0 | 27-26-15-03 |
| ETIM 8.0 | EC001504 |
| ETIM 7.0 | EC001504 |
| PU (SPU) | 15 (1) pcs |
| Packaging type | Box |
| Country of origin | DE |
| GTIN | 4050821336822 |
| Customs tariff number | 85365005000 |

Environmental Product Compliance

| | |
|------------------------|-------------------------|
| RoHS Compliance Status | Compliant, No Exemption |
|------------------------|-------------------------|

Approvals / Certificates

General approvals



| Approval | Standard | Certificate Name |
|---|----------------|---|
| EAC Brjansker Zertifizierungs- stelle | TP TC 020/2011 | EAC_Certificate_RU_C- DE.AM02.B.00115_19 |

Declarations of conformity and manufacturer's declarations

| Approval | Standard | Certificate Name |
|---|----------|------------------|
| EU-Declaration of Confor- mity WAGO GmbH & Co. KG | - | - |

Downloads

Environmental Product Compliance

| Compliance Search | |
|---|-------------------|
| Environmental Product Compliance 286-752 | ↓ |

Documentation

| Bid Text | | | |
|----------|------------|------------------|-------------------|
| 286-752 | 19.02.2019 | xml 3.80 KB | ↓ |
| 286-752 | 20.02.2019 | docx 14.99 KB | ↓ |

| Instruction Leaflet | |
|---------------------|-------------------------------------|
| | pdf 1246.19 KB ↓ |

CAD/CAE-Data

| CAE data | |
|---------------------------|-------------------|
| WSCAD Universe 286-752 | ↓ |

1 Compatible Products

1.1 Optional Accessories

1.1.1 Marking

1.1.1.1 Marker



Item No.: 209-701

WSB marking card; as card; not stretchable; plain; snap-on type; white

1.1.2 Terminal blocks

1.1.2.1 Terminal block for pluggable modules



Item No.: 280-619

Terminal block for pluggable modules; 6-pole; with 2-conductor terminal blocks; with orange separator; for DIN-rail 35 x 15 and 35 x 7.5; 2.5 mm²; CAGE CLAMP®; 2,50 mm²; gray



Item No.: 280-763

Terminal block for pluggable modules; 6-pole; with 4-conductor terminal blocks; with marker carrier; with orange separator; for DIN-rail 35 x 15 and 35 x 7.5; 2.5 mm²; CAGE CLAMP®; 2,50 mm²; gray



Item No.: 280-609

Terminal block for pluggable modules; 6-pole; with 4-conductor terminal blocks; with orange separator; for DIN-rail 35 x 15 and 35 x 7.5; 2.5 mm²; CAGE CLAMP®; 2,50 mm²; gray

Installation Notes

Installation



Coding ensures correct polarity.



Pluggable electronic modules on 2- or 4-conductor carrier terminal blocks

Marking



Marking via WMB Multi Marking System.

Testing



Function testing via touch-proof test slots