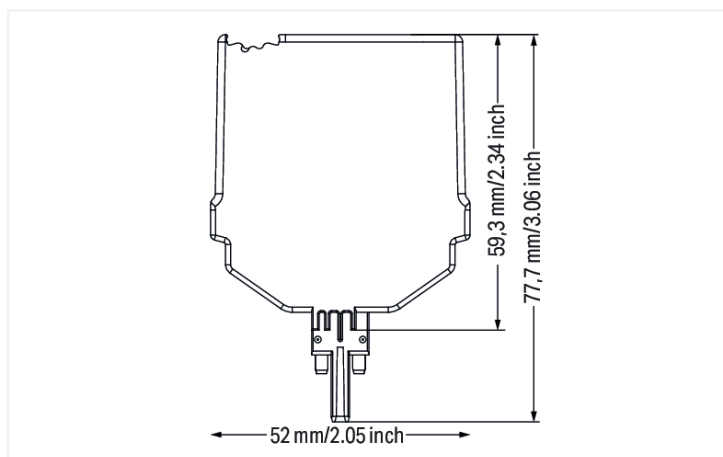
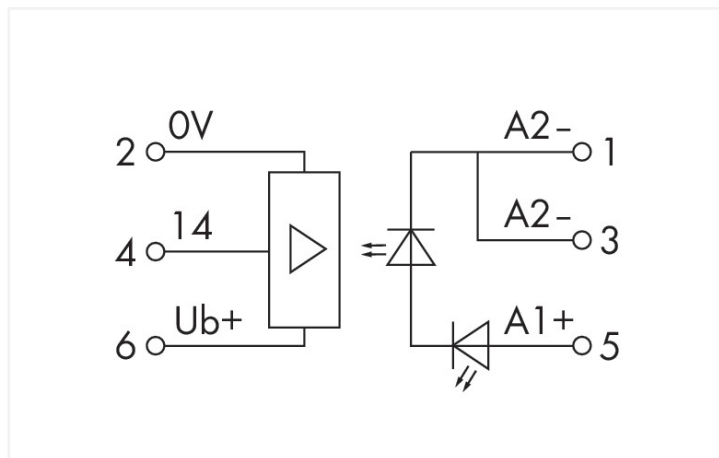


## Data Sheet | Item Number: 2042-7604

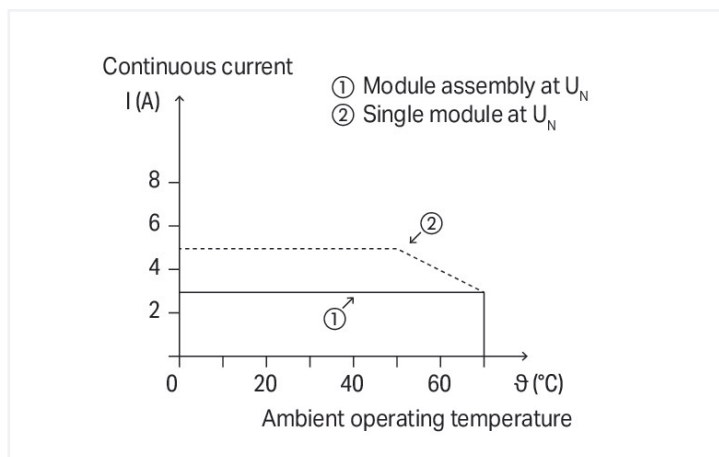
Solid-state relay module; Nominal input voltage: 24 VDC; Output voltage range: 16.8 ... 30 VDC; Limiting continuous current: 5 A; 3-wire connection/high-side switching; Railway; Frequency: 5 kHz; Green status indicator; Module width: 15 mm



<https://www.wago.com/2042-7604>



Dimensions in mm



Current-carrying capacity curve

### Notes

Note

Optocouplers and solid state relays are designed for use in signal processing networks, which are not supplied by the low-voltage power supply networks.

### Technical data

#### Control circuit

Nominal input voltage $U_N$	DC 24 V (SELV)
Input voltage range (low level)	DC 0 ... 10 V
Input voltage range (high level)	DC 16.8 ... 30 V
Nominal input current at $U_N$	7 mA
Input current range	6 ... 8 mA

#### Load circuit

Circuit type	3-wire connection High-side switching
Limiting continuous current	5 A
Nominal output voltage	DC 24 V (SELV)
Output voltage range	DC 16.8 ... 30 V
Voltage drop	≤ 1 VDC
Switching current (min.)	3 mA
Turn-on time	≤ 10 μs
Turn-off time	≤ 20 μs
Switching frequency	≤ 5 kHz

### Signaling

Status indicator	Green LED
------------------	-----------

### Safety and protection

Overtoltage category	II
Pollution degree	2
Dielectric strength (control/load circuit) (AC, 1 min)	2.5 kVrms
Protection type	IP20

### Physical data

Width	15.5 mm / 0.61 inches
Height	77.7 mm / 3.059 inches
Height from the surface	59.3 mm / 2.335 inches
Depth	52 mm / 2.047 inches

### Mechanical data

Mounting type	Pluggable module for TOPJOB® S Carrier Terminal Block
---------------	---

### Material data

Flammability class per UL94	V0
Fire load	0.149 MJ
Weight	17.1 g

### Environmental requirements

Ambient temperature (operation at $U_N$ )	-40 ... +70 °C
Ambient temperature (storage)	-40 ... +85 °C
Processing temperature	-25 ... +50 °C
Operating altitude (max.)	2000 m

### Standards and specifications

Standards/specifications	EN 61010-2-201 EN 61373 EN 50121-3-2 EN 50121-4 EN 61000-6-2 EN 61000-6-3
--------------------------	--

### Commercial data

eCl@ss 10.0	27-14-11-49
eCl@ss 9.0	27-14-11-49
ETIM 8.0	EC002018
ETIM 7.0	EC002018
PU (SPU)	1 pcs
Packaging type	Bag
Country of origin	DE
GTIN	4055143748759
Customs tariff number	85365005000

**Environmental Product Compliance**

CAS-No.	1303-86-2 7439-92-1 79-94-7
REACH Candidate List Substance	2,2',6,6'-tetrabromo-4,4'-isopropylidenediphenol Diboron trioxide Lead
RoHS Compliance Status	Compliant,With Exemption
RoHS Exemption	7(a) 7(c)-I 7(c)-II
SCIP notification number (Austria)	aeadaa7b-4e41-4f2a-8dba-ddf07944d5d6
SCIP notification number (Belgium)	10fe3c50-f77f-4362-8af6-2b451af9fecc
SCIP notification number (Bulgaria)	47ca3f4c-a070-4c59-868d-7289b57981f5
SCIP notification number (Czech Republic)	89a45afd-088f-42f7-aacd-f93b1a70bc06
SCIP notification number (Denmark)	fcfac643-f8cb-4e30-9b3f-11fb3fcfbad
SCIP notification number (Finland)	139db015-851c-41bb-8546-82cf6a27339b
SCIP notification number (France)	a58beff9-5b13-4487-9dcb-eeebf5db0f3c
SCIP notification number (Germany)	cb1e23bb-2d4e-4faa-a043-a6660f824455
SCIP notification number (Hungary)	65b5cee0-d03c-4815-ae01-cd0826fb6487
SCIP notification number (Italy)	34e0e620-d011-47af-bf56-be0dbfc40e9e
SCIP notification number (Netherlands)	d45270f7-6d1c-4245-b0d9-01f27652a01f
SCIP notification number (Poland)	a6441ed9-1410-48d9-aba3-9d36f74d6fc8
SCIP notification number (Romania)	3a93c174-69ec-4a26-b284-abac1ca8fc5d
SCIP notification number (Sweden)	dede4d15-1cb6-4d12-9574-79ea785e42d4

**Approvals / Certificates**

General approvals			Declarations of conformity and manufacturer's declarations		
Approval	Standard	Certificate Name	Approval	Standard	Certificate Name
EAC Brjansker Zertifizierungs- stelle	TP TC 020/2011	EAC_Certificate_RU_C- DE.AM02.B.00115_19	EU-Declaration of Confor- mity WAGO GmbH & Co. KG	-	-
UL Underwriters Laboratories Inc. (ORDINARY LOCATI- ONS)	UL 61010-1	E175199			

**Downloads**

**Environmental Product Compliance**

Compliance Search

Environmental Product Compliance 2042-7604

**Documentation**

Bid Text			
2042-7604	20.02.2019	docx 16.88 KB	
2042-7604	19.02.2019	xml 4.21 KB	

Instruction Leaflet			
Pluggable Relay Module / Pluggable Solid-State Relay Module	V 1.1.0	pdf 1933.06 KB	

## CAD/CAE-Data

CAD data	
2D/3D Models 2042-7604	

## 1 Compatible Products

### 1.1 Optional Accessories

#### 1.1.1 End plate

##### 1.1.1.1 End plate

<a href="#">Item No.: 2002-1691</a> End and intermediate plate; 1 mm thick; gray	<a href="#">Item No.: 2002-1791</a> End and intermediate plate; 1 mm thick; gray	<a href="#">Item No.: 2002-1891</a> End and intermediate plate; 1 mm thick; gray	<a href="#">Item No.: 2002-1991</a> End and intermediate plate; 1 mm thick; gray
<a href="#">Item No.: 2002-1692</a> End and intermediate plate; 1 mm thick; orange	<a href="#">Item No.: 2002-1792</a> End and intermediate plate; 1 mm thick; orange	<a href="#">Item No.: 2002-1892</a> End and intermediate plate; 1 mm thick; orange	<a href="#">Item No.: 2002-1992</a> End and intermediate plate; 1 mm thick; orange

#### 1.1.2 Marking

##### 1.1.2.1 Marker

<a href="#">Item No.: 793-5501</a> WMB marking card; as card; for terminal block width 5 - 17.5 mm; stretchable 5 - 5.2 mm; plain; snap-on type; white	<a href="#">Item No.: 793-501</a> WMB marking card; as card; not stretchable; plain; snap-on type; white	<a href="#">Item No.: 2009-115</a> WMB-Inline; for Smart Printer; 1500 pieces on roll; stretchable 5 - 5.2 mm; plain; snap-on type; white

##### 1.1.2.2 Marking strip

<a href="#">Item No.: 2009-110</a> Marking strips; for Smart Printer; on reel; not stretchable; plain; snap-on type; white

#### 1.1.3 Terminal blocks

1.1.3.1 Carrier terminal block for modules and plugs



**Item No.: 2002-1661**

2-conductor carrier terminal block; for DIN-rail 35 x 15 and 35 x 7.5; 2.5 mm<sup>2</sup>; Push-in CAGE CLAMP®; 2,50 mm<sup>2</sup>; gray

**Item No.: 2002-1961**

2-conductor carrier terminal block; with additional jumper position; for DIN-rail 35 x 15 and 35 x 7.5; 2.5 mm<sup>2</sup>; Push-in CAGE CLAMP®; 2,50 mm<sup>2</sup>; gray

**Item No.: 2002-1761**

3-conductor carrier terminal block; for DIN-rail 35 x 15 and 35 x 7.5; 2.5 mm<sup>2</sup>; Push-in CAGE CLAMP®; 2,50 mm<sup>2</sup>; gray

**Item No.: 2002-1861**

4-conductor carrier terminal block; for DIN-rail 35 x 15 and 35 x 7.5; 2.5 mm<sup>2</sup>; Push-in CAGE CLAMP®; 2,50 mm<sup>2</sup>; gray