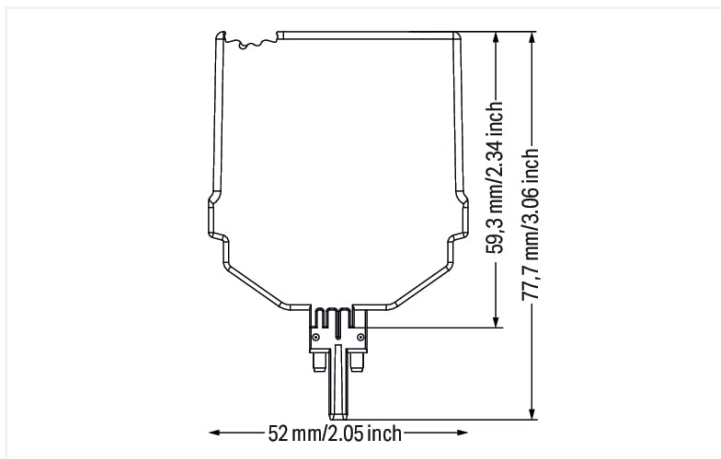
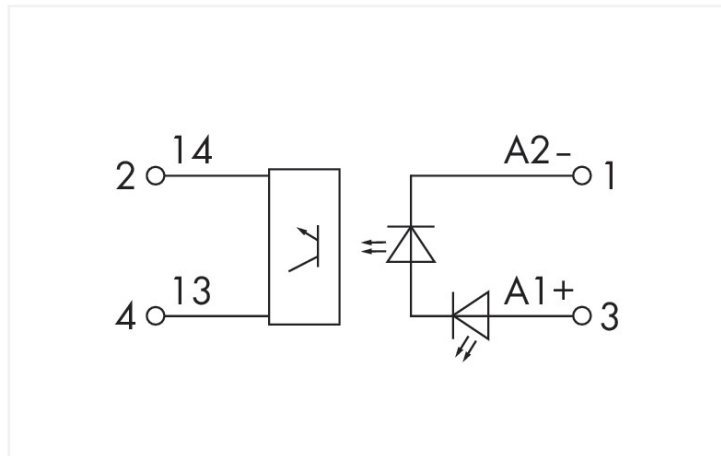


Data Sheet | Item Number: 2042-7504

Solid-state relay module; Nominal input voltage: 24 VDC; Output voltage range: 0 ... 48 VDC; Limiting continuous current: 4 A; 2-wire connection; Railway; Green status indicator; Module width: 10 mm



<https://www.wago.com/2042-7504>



Dimensions in mm

Notes

Note

Optocouplers and solid state relays are designed for use in signal processing networks, which are not supplied by the low-voltage power supply networks.

Technical data

Control circuit

Nominal input voltage U_N	DC 24 V (SELV)
Input voltage range (low level)	DC 0 ... 6 V
Input voltage range (high level)	DC 10 ... 53 V
Nominal input current at U_N	3 mA
Input current range	3 ... 5 mA

Load circuit

Circuit type	2-wire connection
Limiting continuous current	4 A
Nominal output voltage	DC 48 V (SELV)
Output voltage range	DC 0 ... 53 V
Voltage drop	≤ 1 VDC
Switching current (min.)	20 μ A
Turn-on time	≤ 12 μ s
Turn-off time	≤ 32 μ s
Switching frequency	≤ 300 Hz

Signaling

Status indicator	Green LED
------------------	-----------

Safety and protection

Overtoltage category	II
Pollution degree	2
Dielectric strength (control/load circuit) (AC, 1 min)	3 kVrms
Protection type	IP20

Physical data

Width	10.3 mm / 0.406 inches
Height	77.7 mm / 3.059 inches
Height from the surface	59.3 mm / 2.335 inches
Depth	52 mm / 2.047 inches

Mechanical data

Mounting type	Pluggable module for TOPJOB® S Carrier Terminal Block
---------------	---

Material data

Flammability class per UL94	V0
Fire load	0.133 MJ
Weight	14.6 g

Environmental requirements

Ambient temperature (operation at U_N)	-40 ... +70 °C
Ambient temperature (storage)	-40 ... +85 °C
Processing temperature	-25 ... +50 °C
Operating altitude (max.)	2000 m

Standards and specifications

Standards/specifications	EN 61010-2-201 EN 61373 EN 50121-3-2 EN 50121-4 EN 61000-6-2 EN 61000-6-3
--------------------------	--

Commercial data

eCl@ss 10.0	27-14-11-49
eCl@ss 9.0	27-14-11-49
ETIM 8.0	EC002018
ETIM 7.0	EC002018
PU (SPU)	1 pcs
Packaging type	Bag
Country of origin	DE
GTIN	4055143751292
Customs tariff number	85365005000

Environmental Product Compliance

CAS-No.	7439-92-1 79-94-7
REACH Candidate List Substance	2,2',6,6'-tetrabromo-4,4'-isopropylidenediphenol Lead
RoHS Compliance Status	Compliant,With Exemption
RoHS Exemption	7(a) 7(c)-I 7(c)-II
SCIP notification number (Austria)	52c3ee0b-25cc-4dfd-88a0-025ec7d70aff
SCIP notification number (Belgium)	dc25a5b7-03ea-48e0-b9a2-81885c569dd3
SCIP notification number (Bulgaria)	ee80b214-e6b8-463c-9b7a-c7eb0b965f4c
SCIP notification number (Czech Republic)	88d1a0ec-54b1-460c-b6e4-522932a4795f
SCIP notification number (Denmark)	7b11e600-3391-48d6-9085-617a85bee8ce
SCIP notification number (Finland)	5d6b72aa-3505-438e-91ce-4d2654ceb98d
SCIP notification number (France)	1b548f39-a342-46ee-b64a-7ede5e6f8382
SCIP notification number (Germany)	78179552-4f98-4e44-a37f-f4a427f73f6c
SCIP notification number (Hungary)	f02fd5d1-41a9-4564-bbdd-3e0da85ebbf6
SCIP notification number (Italy)	ebd2729c-c069-40cf-949b-3e1cb65b037e
SCIP notification number (Netherlands)	8cb5c2db-4658-4159-aa66-33248c527b64
SCIP notification number (Poland)	f373ecc0-cbd0-4aee-8eb4-c21a4c74d2cf
SCIP notification number (Romania)	ac87b6e9-8b2a-4707-b5fc-6409eb90dbf4
SCIP notification number (Sweden)	7e9fdf3e-9047-453e-aa42-201a6aab992c

Approvals / Certificates

General approvals			Declarations of conformity and manufacturer's declarations		
Approval	Standard	Certificate Name	Approval	Standard	Certificate Name
EAC Brjansker Zertifizierungs- stelle	TP TC 020/2011	EAC_Certificate_RU_C- DE.AM02.B.00115_19	EU-Declaration of Confor- mity WAGO GmbH & Co. KG	-	-
UL Underwriters Laboratories Inc. (ORDINARY LOCATI- ONS)	UL 61010-1	E175199			

Downloads

Environmental Product Compliance

Compliance Search	
Environmental Product Compliance 2042-7504	↓

Documentation

Bid Text			
2042-7504	20.02.2019	docx 16.85 KB	
2042-7504	19.02.2019	xml 4.27 KB	

Instruction Leaflet			
Pluggable Relay Module / Pluggable Solid-State Relay Module	V 1.1.0	pdf 1933.06 KB	

1 Compatible Products

1.1 Optional Accessories

1.1.1 End plate

1.1.1.1 End plate

Item No.: 2002-1691 End and intermediate plate; 1 mm thick; gray	Item No.: 2002-1791 End and intermediate plate; 1 mm thick; gray	Item No.: 2002-1891 End and intermediate plate; 1 mm thick; gray	Item No.: 2002-1991 End and intermediate plate; 1 mm thick; gray
Item No.: 2002-1692 End and intermediate plate; 1 mm thick; orange	Item No.: 2002-1792 End and intermediate plate; 1 mm thick; orange	Item No.: 2002-1892 End and intermediate plate; 1 mm thick; orange	Item No.: 2002-1992 End and intermediate plate; 1 mm thick; orange

1.1.2 Marking

1.1.2.1 Marker

Item No.: 793-5501 WMB marking card; as card; for terminal block width 5 - 17.5 mm; stretchable 5 - 5.2 mm; plain; snap-on type; white	Item No.: 793-501 WMB marking card; as card; not stretchable; plain; snap-on type; white	Item No.: 2009-115 WMB-Inline; for Smart Printer; 1500 pieces on roll; stretchable 5 - 5.2 mm; plain; snap-on type; white

1.1.2.2 Marking strip

Item No.: 2009-110 Marking strips; for Smart Printer; on reel; not stretchable; plain; snap-on type; white

1.1.3 Terminal blocks

1.1.3.1 Carrier terminal block for modules and plugs

Item No.: 2002-1661 2-conductor carrier terminal block; for DIN-rail 35 x 15 and 35 x 7.5; 2.5 mm ² ; Push-in CAGE CLAMP®; 2,50 mm ² ; gray	Item No.: 2002-1961 2-conductor carrier terminal block; with additional jumper position; for DIN-rail 35 x 15 and 35 x 7.5; 2.5 mm ² ; Push-in CAGE CLAMP®; 2,50 mm ² ; gray	Item No.: 2002-1761 3-conductor carrier terminal block; for DIN-rail 35 x 15 and 35 x 7.5; 2.5 mm ² ; Push-in CAGE CLAMP®; 2,50 mm ² ; gray	Item No.: 2002-1861 4-conductor carrier terminal block; for DIN-rail 35 x 15 and 35 x 7.5; 2.5 mm ² ; Push-in CAGE CLAMP®; 2,50 mm ² ; gray

Subject to changes. Please also observe the further product documentation!

Current addresses can be found at: www.wago.com