

SACB- 8/3-L- 5,0PUR-M8 - Sensor/actuator box



1516056

<https://www.phoenixcontact.com/in/products/1516056>

Please be informed that the data shown in this PDF document is generated from our Online Catalog. Please find the complete data in the user documentation. Our General Terms of Use for Downloads are valid.



Sensor/actuator box, application: Standard, connection method: M8 socket Metal, number of slots: 8, number of positions: 3, coding: A, slot assignment: single, status display: Yes, pnp; master cable connection: Fixed connection 180°, PUR/PVC, cable length: 5 m, shielding: no

Your advantages

- Safety in the field, thanks to molded housing and high degree of protection
- Convenient: increased machine availability thanks to quick and easy diagnostics

Commercial Data

Item number	1516056
Packing unit	1 pc
Minimum order quantity	1 pc
Note	Made to Order (non-returnable)
Sales Key	BF3
Product Key	BF3BCA
Catalog Page	Page 260 (C-2-2019)
GTIN	4017918967031
Weight per Piece (including packing)	632.7 g
Weight per Piece (excluding packing)	619.4 g
Customs tariff number	85444290
Country of origin	PL

SACB- 8/3-L- 5,0PUR-M8 - Sensor/actuator box



1516056

<https://www.phoenixcontact.com/in/products/1516056>

Technical Data

Notes

General	NOTE: Observe the permissible bending radii when laying conductors, since the degree of protection may be put in jeopardy if the bending forces are too high. Alleviate mechanical loads upstream of the connector, e.g. by using cable ties.
General	Unused slots are to be sealed off prior to commissioning. Suitable sealing elements are to be found under "Accessories".

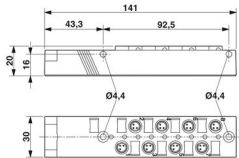
Product properties

Product type	Distributor boxes with M8 to M12 slots
Number of positions	3
Application	Standard
Number of slots	8
Coding	A
LED	yes

Material specifications

Color	green
Material Threaded sleeve	Cu alloy
Material Housing	PBT
Material Molding compound	PUR
Flammability rating according to UL 94	V0
Seal material O-ring	NBR
Contact material	CuSn
Contact surface material	Ni/Au
Contact carrier material	PA

Dimensions

Dimensional drawing	
Width	30 mm
Height	22 mm
Length	141 mm

Connection data

Conductor connection

Connection method	Fixed connection
Tightening torque slot sensor/actuator cable	0.2 Nm

SACB- 8/3-L- 5,0PUR-M8 - Sensor/actuator box

1516056

<https://www.phoenixcontact.com/in/products/1516056>

Pin assignment

Slot/position = Wire color or connection	
	1 / 4 (A) = WH
	2 / 4 (A) = GN
	3 / 4 (A) = YE
	4 / 4 (A) = GY
	5 / 4 (A) = PK
	6 / 4 (A) = RD
	7 / 4 (A) = BK
	8 / 4 (A) = VT
	1-8 / 1 (+ 24 V) = BN
	1-8 / 3 (0 V) = BU

Signaling

Status display present	Yes
------------------------	-----

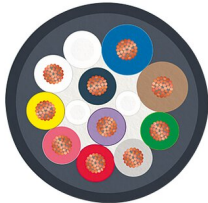
Electrical properties

Max. operating voltage U_{max}	30 V DC
Local diagnostics	Supply voltage Green LED
	Status display I/O Yellow LED
Nominal voltage U_N	24 V DC
Rated current, total	6 A
Max. current carrying capacity per path	2 A
Current carrying capacity per slot	2 A

Cable/line

Cable length	5 m
--------------	-----

PUR/PVC black [PUR]

Dimensional drawing	
Cable weight	92 kg/km
UL AWM Style	20549
Number of positions	10
Shielded	no
Cable type	PUR/PVC black [PUR]
Conductor structure signal line	19x 0.15 mm
AWG signal line	22
Conductor cross section	8x 0.34 mm ² (Signal line)

SACB- 8/3-L- 5,0PUR-M8 - Sensor/actuator box



1516056

<https://www.phoenixcontact.com/in/products/1516056>

	2x 0.75 mm ² (power line)
Wire diameter incl. insulation	1.3 mm ±0.1 mm (Signal line)
	1.8 mm ±0.1 mm (power line)
External cable diameter	7.9 mm ±0.2 mm
Outer sheath, material	PUR
External sheath, color	black RAL 9005
Conductor material	Bare Cu litz wires
Material wire insulation	PVC
Single wire, color	brown, blue, white, green, yellow, gray, pink, red, black, violet
Inner sheath thickness	≥ 0.15 mm
Thickness, outer sheath	≥ 0.38 mm
Overall twist	Wires twisted in layers
Nominal voltage, cable	300 V
Test voltage	2000 V
Minimum bending radius, fixed installation	7.5 x D
Minimum bending radius, flexible installation	10 x D
Max. bending cycles	1500000
Flame resistance	DIN EN 50265
Resistance to oil	according to VDE 0472 Part 803
Other resistance	Highly resistant to acids, alkaline solutions and solvents
Special properties	Silicone-free
Ambient temperature (operation)	-40 °C ... 90 °C (cable, fixed installation)
	-5 °C ... 80 °C (Cable, flexible installation)
	80 °C (in acc. with UL)

Standards and regulations

Standards/specifications	IEC 61076-2-104
--------------------------	-----------------

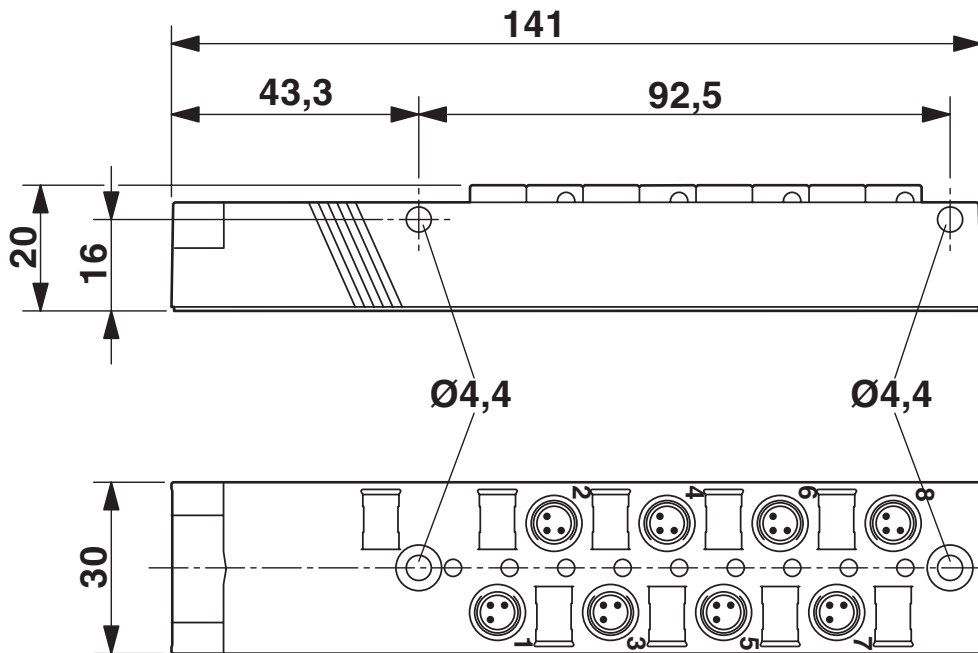
Environmental and real-life conditions

Ambient conditions

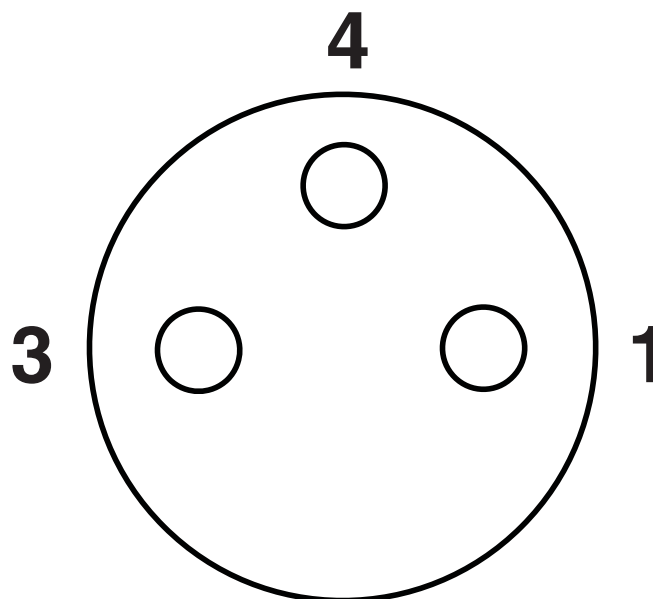
Degree of protection	IP65
	IP67
Ambient temperature (operation)	-30 °C ... 80 °C

Drawings

Dimensional drawing



Schematic diagram



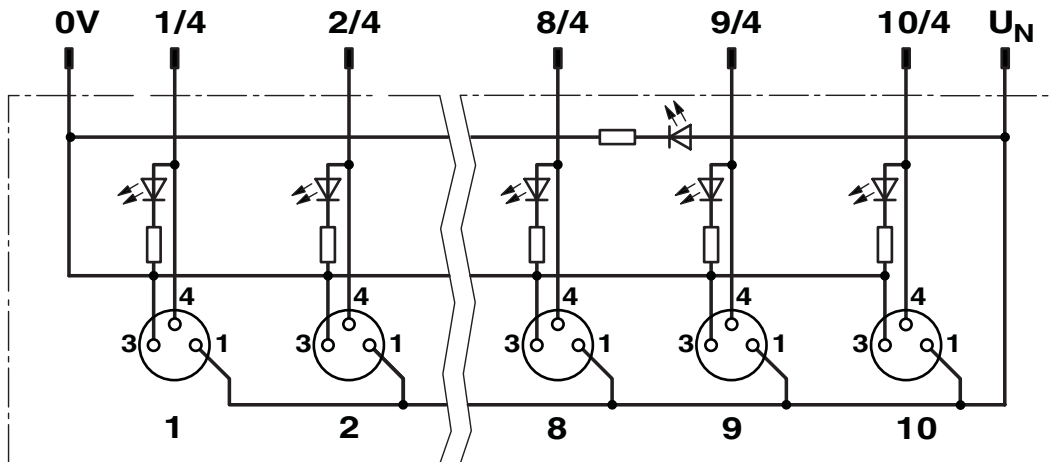
SACB- 8/3-L- 5,0PUR-M8 - Sensor/actuator box



1516056

<https://www.phoenixcontact.com/in/products/1516056>

Circuit diagram



SACB- 8/3-L- 5,0PUR-M8 - Sensor/actuator box



1516056

<https://www.phoenixcontact.com/in/products/1516056>

Classifications

ECLASS

ECLASS-11.0

27440108

ETIM

ETIM 7.0

EC002585

UNSPSC

UNSPSC 21.0

31251501

SACB- 8/3-L- 5,0PUR-M8 - Sensor/actuator box



1516056

<https://www.phoenixcontact.com/in/products/1516056>

Environmental Product Compliance

China RoHS	Environmentally Friendly Use Period = 50 years For information on hazardous substances, refer to the manufacturer's declaration available under "Downloads"
------------	--

SACB- 8/3-L- 5,0PUR-M8 - Sensor/actuator box



1516056

<https://www.phoenixcontact.com/in/products/1516056>

Accessories

PROT-M8 - Screw plug

1682540

<https://www.phoenixcontact.com/in/products/1682540>



An M8 screw plug for the unoccupied M8 sockets of the sensor/actuator cable, boxes and flush-type connectors

TSD 02 SAC - Torque screwdriver

1208487

<https://www.phoenixcontact.com/in/products/1208487>



Torque screwdriver, with preset torque of 0.2 Nm and 4 mm hexagonal drive for M8 connectors

SACB- 8/3-L- 5,0PUR-M8 - Sensor/actuator box

1516056

<https://www.phoenixcontact.com/in/products/1516056>

SAC BIT M8-D10 - Tool

1208461

<https://www.phoenixcontact.com/in/products/1208461>



Nut for assembling M8 connectors with longitudinal knurl and a knurl diameter of 10 mm, for 4 mm hexagonal drive

SACC BIT M8-D12 - Tool

1208474

<https://www.phoenixcontact.com/in/products/1208474>



Nut for assembling M8 connectors with longitudinal knurl and a knurl diameter of 12 mm, for 4 mm hexagonal drive

SACB- 8/3-L- 5,0PUR-M8 - Sensor/actuator box



1516056

<https://www.phoenixcontact.com/in/products/1516056>

UC-TMF 10 - Marker for terminal blocks

0818124

<https://www.phoenixcontact.com/in/products/0818124>



Marker for terminal blocks, Sheet, white, unlabeled, can be labeled with: BLUEMARK ID COLOR, BLUEMARK ID, BLUEMARK CLED, PLOTMARK, CMS-P1-PLOTTER, mounting type: snapped, for terminal block width: 10.2 mm, lettering field size: 9.6 x 5.1 mm, Number of individual labels: 48

UC-TMF 10 CUS - Marker for terminal blocks

0824662

<https://www.phoenixcontact.com/in/products/0824662>



Marker for terminal blocks, can be ordered: by sheet, white, labeled according to customer specifications, mounting type: snap into flat marker groove, for terminal block width: 10.2 mm, lettering field size: 9.6 x 5.1 mm, Number of individual labels: 48

SACB- 8/3-L- 5,0PUR-M8 - Sensor/actuator box



1516056

<https://www.phoenixcontact.com/in/products/1516056>

UCT-TMF 10 - Marker for terminal blocks

0829204

<https://www.phoenixcontact.com/in/products/0829204>



Marker for terminal blocks, Sheet, white, unlabeled, can be labeled with: TOPMARK NEO, TOPMARK LASER, BLUEMARK ID COLOR, BLUEMARK ID, BLUEMARK CLED, THERMOMARK PRIME, THERMOMARK CARD 2.0, THERMOMARK CARD, mounting type: snapped, for terminal block width: 10.2 mm, lettering field size: 9.4 x 4.7 mm, Number of individual labels: 36

UCT-TMF 10 CUS - Marker for terminal blocks

0829679

<https://www.phoenixcontact.com/in/products/0829679>



Marker for terminal blocks, can be ordered: by sheet, white, labeled according to customer specifications, mounting type: snap into flat marker groove, for terminal block width: 10.2 mm, lettering field size: 9.4 x 4.7 mm, Number of individual labels: 36

SACB- 8/3-L- 5,0PUR-M8 - Sensor/actuator box



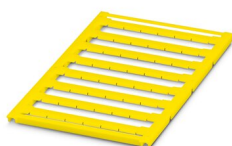
1516056

<https://www.phoenixcontact.com/in/products/1516056>

UC-TMF 10 YE - Marker for terminal blocks

0818687

<https://www.phoenixcontact.com/in/products/0818687>

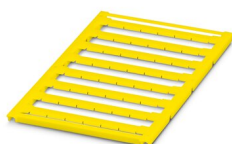


Marker for terminal blocks, Sheet, yellow, unlabeled, can be labeled with: BLUEMARK ID COLOR, BLUEMARK ID, BLUEMARK CLED, PLOTMARK, CMS-P1-PLOTTER, mounting type: snapped, for terminal block width: 10.2 mm, lettering field size: 9.6 x 5.1 mm, Number of individual labels: 48

UC-TMF 10 YE CUS - Marker for terminal blocks

0824668

<https://www.phoenixcontact.com/in/products/0824668>



Marker for terminal blocks, can be ordered: by sheet, yellow, labeled according to customer specifications, mounting type: snap into flat marker groove, for terminal block width: 10.2 mm, lettering field size: 9.6 x 5.1 mm, Number of individual labels: 48

SACB- 8/3-L- 5,0PUR-M8 - Sensor/actuator box



1516056

<https://www.phoenixcontact.com/in/products/1516056>

UCT-TMF 10 YE - Marker for terminal blocks

0829207

<https://www.phoenixcontact.com/in/products/0829207>



Marker for terminal blocks, Sheet, yellow, unlabeled, can be labeled with: TOPMARK NEO, TOPMARK LASER, BLUEMARK ID COLOR, BLUEMARK ID, BLUEMARK CLED, THERMOMARK PRIME, THERMOMARK CARD 2.0, THERMOMARK CARD, mounting type: snapped, for terminal block width: 10.2 mm, lettering field size: 9.4 x 4.7 mm, Number of individual labels: 36

UCT-TMF 10 YE CUS - Marker for terminal blocks

0829682

<https://www.phoenixcontact.com/in/products/0829682>



Marker for terminal blocks, can be ordered: by sheet, yellow, labeled according to customer specifications, mounting type: snap into flat marker groove, for terminal block width: 10.2 mm, lettering field size: 9.4 x 4.7 mm, Number of individual labels: 36

Phoenix Contact 2023 © - all rights reserved
<https://www.phoenixcontact.com>

PHOENIX CONTACT (I) Pvt. Ltd.
A-58/2, Okhla Industrial Area, Phase - II, New Delhi-110 020

+91.1275.71420
info@phoenixcontact.co.in