

# HC-EVO-B16PT-BWSC-HH-M25-PLRBK - Connector set



1408793

<https://www.phoenixcontact.com/in/products/1408793>

Please be informed that the data shown in this PDF document is generated from our Online Catalog. Please find the complete data in the user documentation. Our General Terms of Use for Downloads are valid.



EVO connector set, B16 series, plastic housing, consisting of sleeve housing, panel mounting base, push-in contact inserts: 1407731, 1407732, 1407647, 1407642, 1407670

## Your advantages

- Lower costs than metal version
- Labeling option using 9 x 20 mm marking label
- Low weight
- Lower risk of condensation

## Commercial Data

Item number	1408793
Packing unit	1 pc
Minimum order quantity	1 pc
Sales Key	BF7
Product Key	BF7AFX
Catalog Page	Page 646 (C-2-2019)
GTIN	4046356834100
Weight per Piece (including packing)	472.1 g
Weight per Piece (excluding packing)	472.1 g
Customs tariff number	85366990
Country of origin	CN

# HC-EVO-B16PT-BWSC-HH-M25-PLRBK - Connector set



1408793

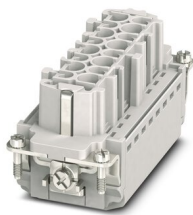
<https://www.phoenixcontact.com/in/products/1408793>

## Set consists of

### HC-B16-I-PT-F - Contact insert

1407731

<https://www.phoenixcontact.com/in/products/1407731>



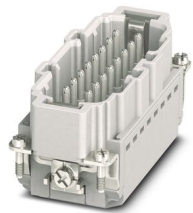
Contact insert, number of positions: 16+PE, size: B16, number of connections per position: 1, Socket, Push-in connection, 500 V, 16 A, 0.14 mm<sup>2</sup> ... 2.5 mm<sup>2</sup>, application: Power

---

### HC-B16-I-PT-M - Contact insert

1407732

<https://www.phoenixcontact.com/in/products/1407732>



Contact insert, number of positions: 16+PE, size: B16, number of connections per position: 1, Pin, Push-in connection, 500 V, 16 A, 0.14 mm<sup>2</sup> ... 2.5 mm<sup>2</sup>, application: Power

# HC-EVO-B16PT-BWSC-HH-M25-PLRBK - Connector set



1408793

<https://www.phoenixcontact.com/in/products/1408793>

## HC-EVO-B16-BWSC-PLRBK - Housing

1407647

<https://www.phoenixcontact.com/in/products/1407647>



Panel mounting base B16, with single locking latch, material: PA, protective cover material: PC, height: 30.5 mm, cable gland: none, protective cover: yes, Standard, with flat gasket

---

## HC-EVO-B16-HHFS-PLBK - Housing

1407642

<https://www.phoenixcontact.com/in/products/1407642>



Sleeve housing B16, for single locking latch, material: PA, cable outlets: 1, straight/lateral, height: 78 mm, cable gland: none, Standard

# HC-EVO-B16PT-BWSC-HH-M25-PLRBK - Connector set

1408793

<https://www.phoenixcontact.com/in/products/1408793>

## HC-B-G-M25-PLRBK - Cable gland

1407670

<https://www.phoenixcontact.com/in/products/1407670>



EVO plastic cable gland with bayonet locking, for housing series B, size M25, cable diameter: 9 mm ... 17 mm

# HC-EVO-B16PT-BWSC-HH-M25-PLRBK - Connector set



1408793

<https://www.phoenixcontact.com/in/products/1408793>

## Technical Data

### Notes

General	Connectors may be operated only when there is no load/voltage.
---------	--

### Product properties

Type	B16
Product type	Connector set
Number of positions	16
Connection profile	16+PE
Contact numbering	1 - 16
No. of cable outlets	1
Type of the screw connection	1x M25
Housing type	Complete housing
Protective cover	yes
Locking type	Single locking latch
Series	HC-B
Cable outlet	straight
Pg screw connection	none

### Insulation characteristics

Overvoltage category	III
Degree of pollution	3

### Electrical properties

Rated voltage (III/3)	500 V
Rated surge voltage	6 kV
Rated current	16 A

### Connection data

Connection method	Push-in connection
Connection technology	Push-in connection
Conductor cross section	0.14 mm <sup>2</sup> ... 2.5 mm <sup>2</sup> (with ferrule) 0.14 mm <sup>2</sup> ... 2.5 mm <sup>2</sup> (with ferrule)
Connection cross section AWG	26 ... 14 (with ferrule)
Tightening torque	0.5 Nm ... 1.7 Nm (Fixing screws for panel mounting base)
Stripping length	8 mm ... 10 mm

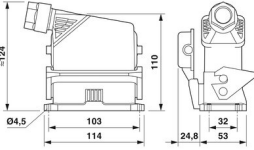
### Dimensions

# HC-EVO-B16PT-BWSC-HH-M25-PLRBK - Connector set



1408793

<https://www.phoenixcontact.com/in/products/1408793>

Dimensional drawing	
Width	53 mm
Height	124 mm
Length	114 mm
Drill hole distance, horizontal	103 mm
Drill hole distance, vertical	32 mm

## Installation dimensions

Width of the assembly cutout	35 mm
Length of the assembly cutout	86 mm

## Material specifications

Material Protective cover	PA
Flammability rating according to UL 94	V0
Seal material Profile gasket	NBR
Seal material Flat gasket	NBR
Contact material	Copper alloy
Contact surface material	Ag
Contact carrier material	PA
Locking latch material	PA
Impact strength	IK09
Housing material	PA

## Cable/line

External cable diameter	9 mm ... 17 mm
-------------------------	----------------

## Mechanical properties

### Mechanical data

Type of the screw connection	1x M25
Locking type	Latch
Insertion/withdrawal cycles	≥ 500

## Environmental and real-life conditions

### Ambient conditions

Degree of protection	IP66
	12 (UL 50e)
Impact strength	IK09
Ambient temperature (operation)	-40 °C ... 100 °C

# HC-EVO-B16PT-BWSC-HH-M25-PLRBK - Connector set



1408793

<https://www.phoenixcontact.com/in/products/1408793>

## Mounting

Assembly instructions	Coding also using the CP-HC (1686478) coding profiles. HC-B6.. / HC-B10..for two coding profiles. HC-B16../ HC-B24..for four coding profiles.  Connectors may only be operated when there is no load/the power is switched off. Can be used for solid wires and stranded wires with ferrule.
Connection method	Push-in connection

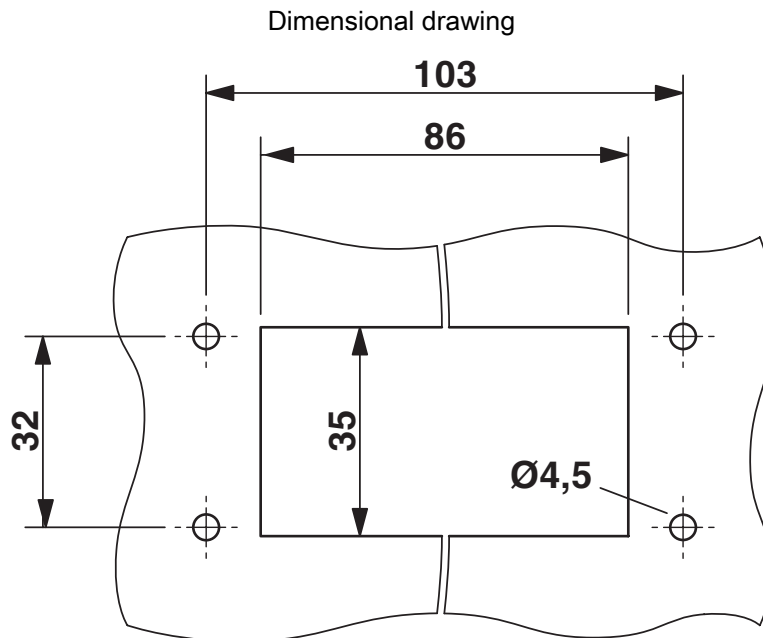
# HC-EVO-B16PT-BWSC-HH-M25-PLRBK - Connector set



1408793

<https://www.phoenixcontact.com/in/products/1408793>

## Drawings



Mounting cutout



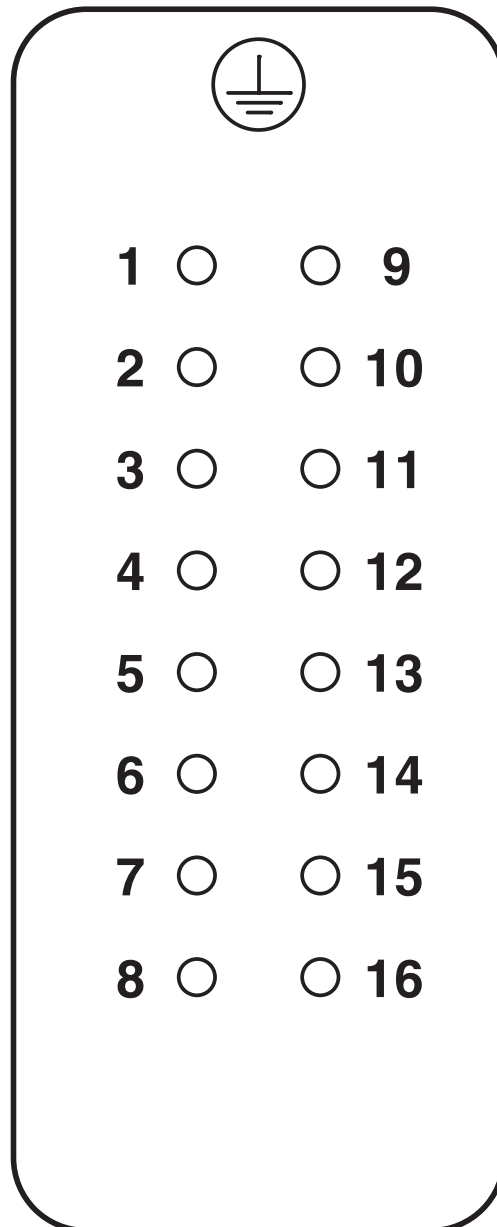
# HC-EVO-B16PT-BWSC-HH-M25-PLRBK - Connector set



1408793

<https://www.phoenixcontact.com/in/products/1408793>

Schematic diagram



Pin assignment, connection side, socket

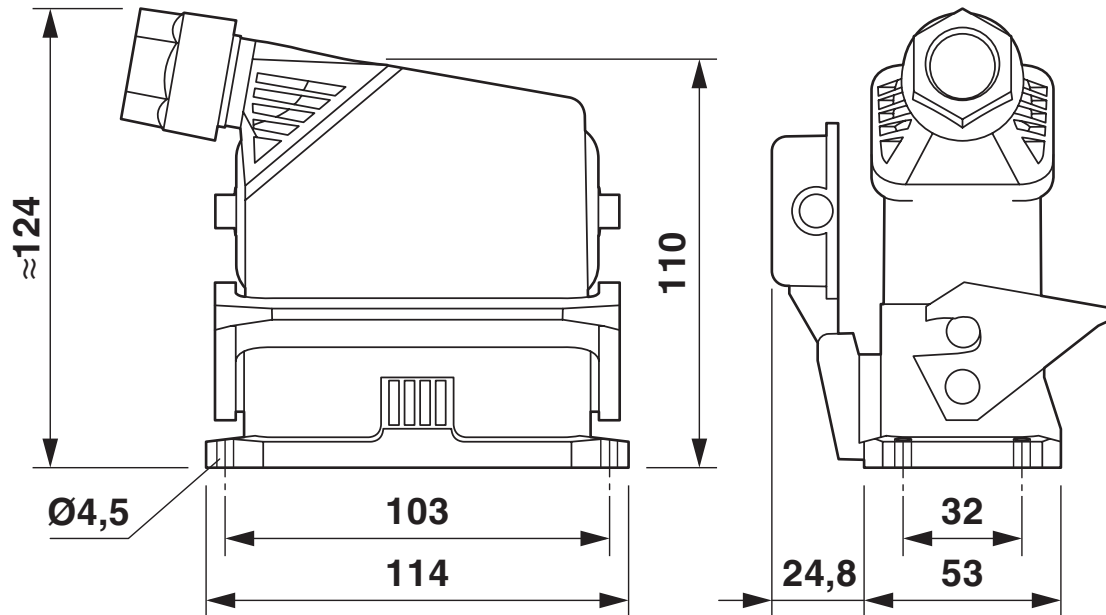
# HC-EVO-B16PT-BWSC-HH-M25-PLRBK - Connector set



1408793

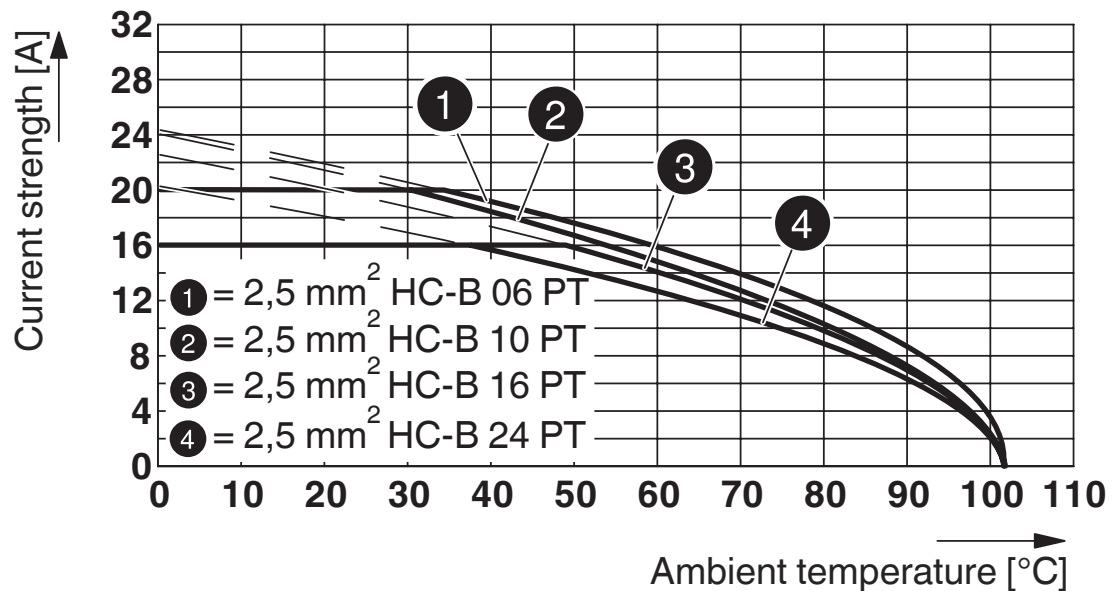
<https://www.phoenixcontact.com/in/products/1408793>

Dimensional drawing



Dimensional drawing

Diagram



Derating diagram

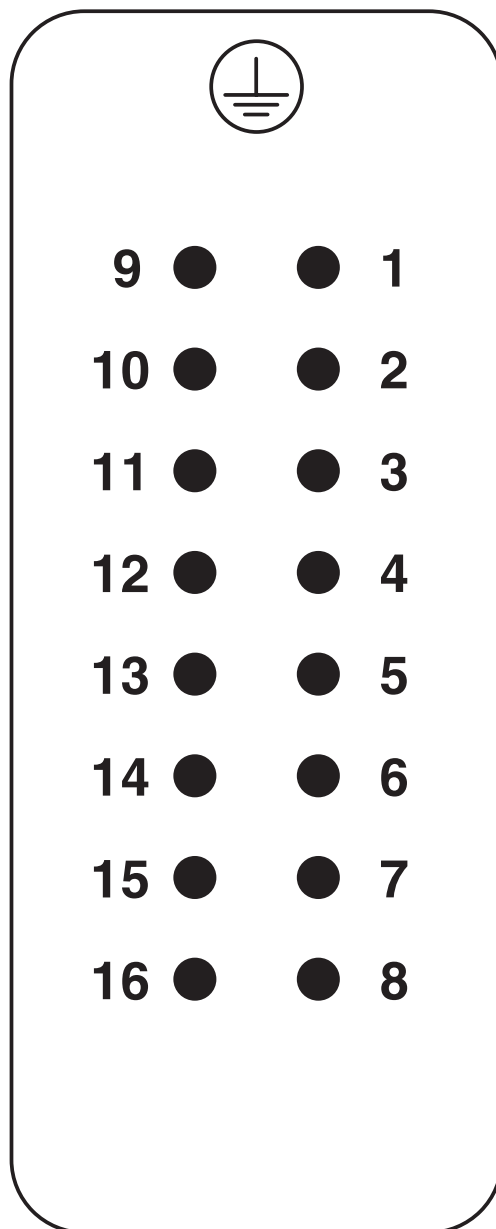
# HC-EVO-B16PT-BWSC-HH-M25-PLRBK - Connector set



1408793

<https://www.phoenixcontact.com/in/products/1408793>

Schematic diagram



Pin assignment, connection side, pin

# HC-EVO-B16PT-BWSC-HH-M25-PLRBK - Connector set



1408793

<https://www.phoenixcontact.com/in/products/1408793>

## Approvals



**EAC**

Approval ID: RU C-DE.BL08.B.00511

# HC-EVO-B16PT-BWSC-HH-M25-PLRBK - Connector set



1408793

<https://www.phoenixcontact.com/in/products/1408793>

## Classifications

### ECLASS

ECLASS-11.0	27440101
ECLASS-12.0	27440113
ECLASS-13.0	27440113

### ETIM

ETIM 8.0	EC002636
----------	----------

### UNSPSC

UNSPSC 21.0	39121400
-------------	----------

# HC-EVO-B16PT-BWSC-HH-M25-PLRBK - Connector set



1408793

<https://www.phoenixcontact.com/in/products/1408793>

## Environmental Product Compliance

China RoHS	Environmentally friendly use period: unlimited = EFUP-e
	No hazardous substances above threshold values

# HC-EVO-B16PT-BWSC-HH-M25-PLRBK - Connector set



1408793

<https://www.phoenixcontact.com/in/products/1408793>

## Accessories

### HC-B10-SL-PLBK - Housing brackets

1407698

<https://www.phoenixcontact.com/in/products/1407698>



Replacement single locking latch for HEAVYCON EVO housing type B10, PA

---

### US-EMP (20X9) - Snap-in markers

0829439

<https://www.phoenixcontact.com/in/products/0829439>



Snap-in markers, Card, white, unlabeled, can be labeled with: BLUEMARK ID COLOR, BLUEMARK ID, THERMOMARK PRIME, THERMOMARK CARD 2.0, THERMOMARK CARD, mounting type: snapped, lettering field size: 20 x 9 mm, Number of individual labels: 70

---

Phoenix Contact 2023 © - all rights reserved

<https://www.phoenixcontact.com>

PHOENIX CONTACT (I) Pvt. Ltd.

A-58/2, Okhla Industrial Area, Phase - II, New Delhi-110 020

+91.1275.71420

[info@phoenixcontact.co.in](mailto:info@phoenixcontact.co.in)