

# HC-EVO-B10PT-BWD-HL-M25-PLRBK - Connector set



1407711

<https://www.phoenixcontact.com/in/products/1407711>

Please be informed that the data shown in this PDF document is generated from our Online Catalog. Please find the complete data in the user documentation. Our General Terms of Use for Downloads are valid.

EVO connector set consisting of: 1407729, 1407730, 1407634, 1407628, 1407670



## Your advantages

- Lower costs than metal version
- Labeling option using 9 x 20 mm marking label
- Low weight
- Lower risk of condensation

## Commercial Data

Item number	1407711
Packing unit	1 pc
Minimum order quantity	1 pc
Sales Key	BF7
Product Key	BF7AFX
Catalog Page	Page 646 (C-2-2019)
GTIN	4046356777766
Weight per Piece (including packing)	353 g
Weight per Piece (excluding packing)	353 g
Customs tariff number	85366990
Country of origin	CN

# HC-EVO-B10PT-BWD-HL-M25-PLRBK - Connector set



1407711

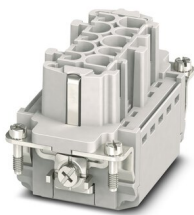
<https://www.phoenixcontact.com/in/products/1407711>

## Set consists of

### HC-B10-I-PT-F - Contact insert

1407729

<https://www.phoenixcontact.com/in/products/1407729>



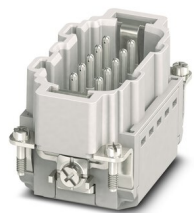
Contact insert, number of positions: 10+PE, size: B10, number of connections per position: 1, Socket, Push-in connection, 500 V, 16 A, 0.14 mm<sup>2</sup> ... 2.5 mm<sup>2</sup>, application: Power

---

### HC-B10-I-PT-M - Contact insert

1407730

<https://www.phoenixcontact.com/in/products/1407730>



Contact insert, number of positions: 10+PE, size: B10, number of connections per position: 1, Pin, Push-in connection, 500 V, 16 A, 0.14 mm<sup>2</sup> ... 2.5 mm<sup>2</sup>, application: Power

# HC-EVO-B10PT-BWD-HL-M25-PLRBK - Connector set



1407711

<https://www.phoenixcontact.com/in/products/1407711>

## HC-EVO-B10-BWD-PLRBK - Housing

1407634

<https://www.phoenixcontact.com/in/products/1407634>



HEAVYCON EVO panel mounting base, plastic, B10, with double locking latch, height: 30.5 mm, with flat gasket

---

## HC-EVO-B10-HLFD-PLBK - Housing

1407628

<https://www.phoenixcontact.com/in/products/1407628>



HEAVYCON EVO sleeve housing, plastic, with bayonet flange for EVO screw connection, B10, for double locking latch, height: 60.5 mm, without EVO screw connection

# HC-EVO-B10PT-BWD-HL-M25-PLRBK - Connector set

1407711

<https://www.phoenixcontact.com/in/products/1407711>

## HC-B-G-M25-PLRBK - Cable gland

1407670

<https://www.phoenixcontact.com/in/products/1407670>



EVO plastic cable gland with bayonet locking, for housing series B, size M25, cable diameter: 9 mm ... 17 mm

# HC-EVO-B10PT-BWD-HL-M25-PLRBK - Connector set



1407711

<https://www.phoenixcontact.com/in/products/1407711>

## Technical Data

### Product properties

Type	B10
Product type	Connector set
Number of positions	10
Connection profile	10+PE
Contact numbering	1 - 10
No. of cable outlets	1
Type of the screw connection	1x M25
Housing type	Complete housing
Protective cover	no
Locking type	Double locking latch
Series	HC-B
Cable outlet	straight
Pg screw connection	none

### Insulation characteristics

Overvoltage category	III
Degree of pollution	3

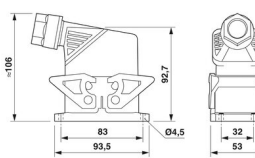
### Electrical properties

Rated voltage (III/3)	500 V
Rated surge voltage	6 kV
Rated current	16 A

### Connection data

Connection method	Push-in connection
Connection technology	Push-in connection
Conductor cross section	0.14 mm <sup>2</sup> ... 2.5 mm <sup>2</sup> (with ferrule) 0.14 mm <sup>2</sup> ... 2.5 mm <sup>2</sup> (with ferrule)
Connection cross section AWG	26 ... 14 (with ferrule)
Tightening torque	0.5 Nm ... 1.7 Nm (Fixing screws for panel mounting base)

### Dimensions

Dimensional drawing	
Width	53 mm
Height	106 mm

# HC-EVO-B10PT-BWD-HL-M25-PLRBK - Connector set



1407711

<https://www.phoenixcontact.com/in/products/1407711>

Length	93.5 mm
Drill hole distance, horizontal	83 mm
Drill hole distance, vertical	32 mm

## Installation dimensions

Width of the assembly cutout	35 mm
Length of the assembly cutout	65 mm

## Material specifications

Flammability rating according to UL 94	V0
Seal material Profile gasket	NBR
Seal material Flat gasket	NBR
Contact material	Copper alloy
Contact surface material	Ag
Contact carrier material	PC
Locking latch material	PA
Impact strength	IK09
Housing material	PA

## Cable/line

External cable diameter	9 mm ... 17 mm
-------------------------	----------------

## Mechanical properties

### Mechanical data

Type of the screw connection	1x M25
Locking type	Latch
Insertion/withdrawal cycles	≥ 500

## Environmental and real-life conditions

### Ambient conditions

Degree of protection	IP66
	12 (UL 50e)
Impact strength	IK09
Ambient temperature (operation)	-40 °C ... 100 °C

## Mounting

Assembly instructions	Connectors may only be operated when there is no load/the power is switched off. Can be used for solid wires and stranded wires with ferrule.
Connection method	Push-in connection

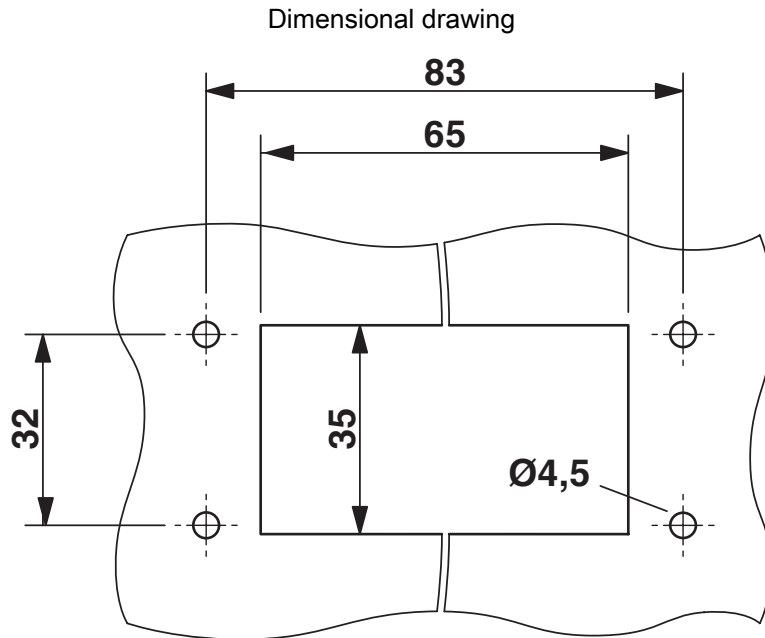
# HC-EVO-B10PT-BWD-HL-M25-PLRBK - Connector set



1407711

<https://www.phoenixcontact.com/in/products/1407711>

## Drawings



Mounting cutout

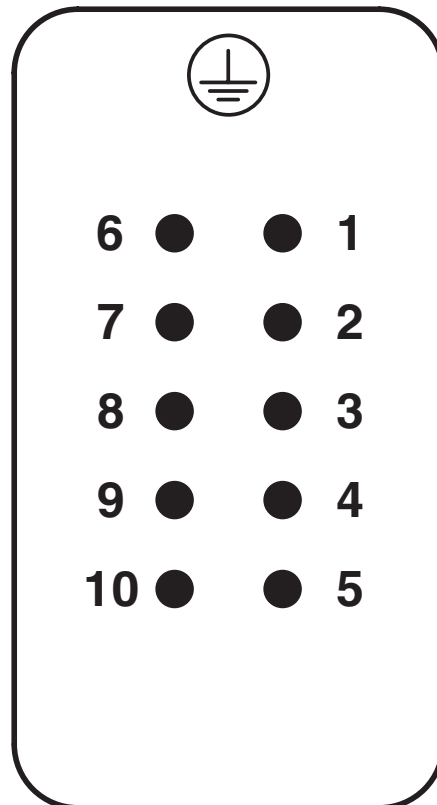
# HC-EVO-B10PT-BWD-HL-M25-PLRBK - Connector set



1407711

<https://www.phoenixcontact.com/in/products/1407711>

## Schematic diagram



Pin assignment, connection side, pin

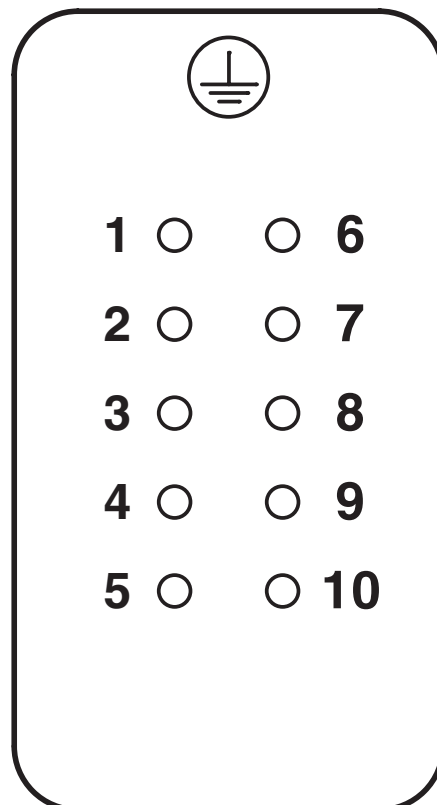


# HC-EVO-B10PT-BWD-HL-M25-PLRBK - Connector set

1407711

<https://www.phoenixcontact.com/in/products/1407711>

## Schematic diagram



Pin assignment, connection side, socket

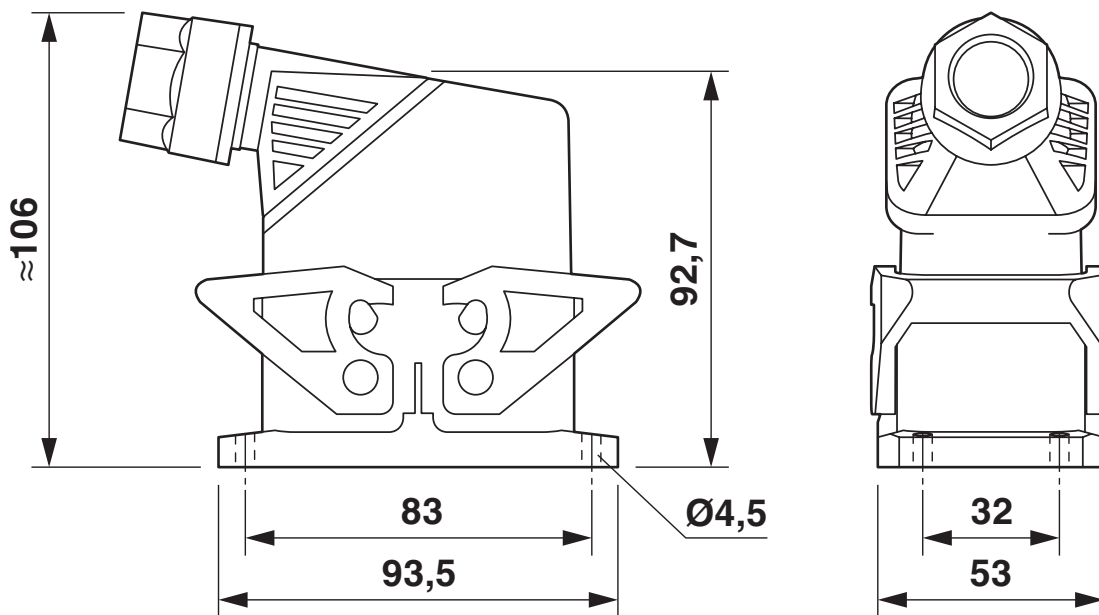
# HC-EVO-B10PT-BWD-HL-M25-PLRBK - Connector set



1407711

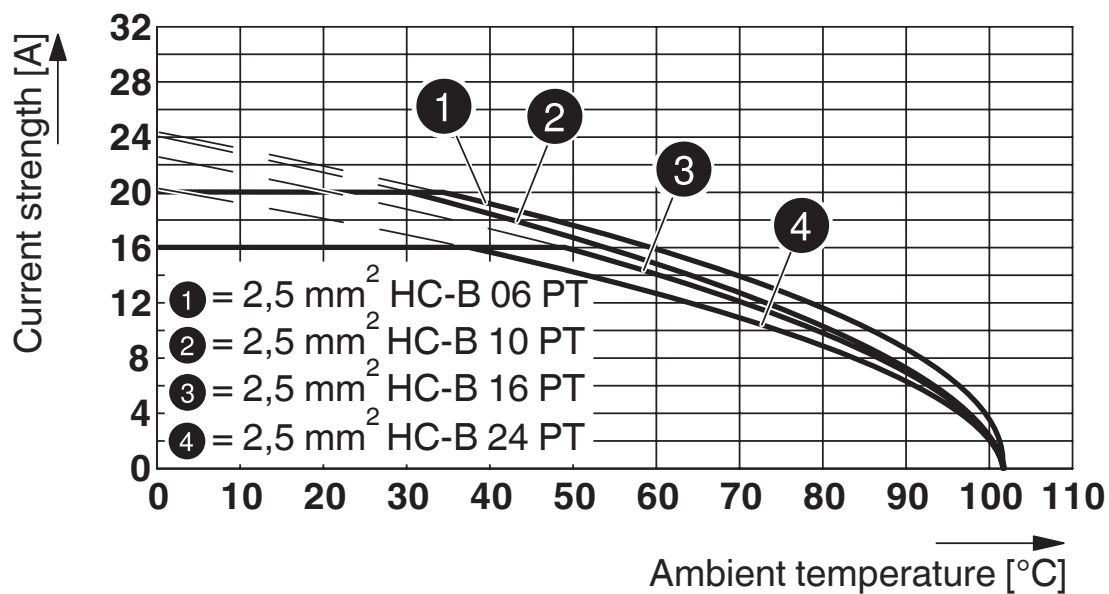
<https://www.phoenixcontact.com/in/products/1407711>

Dimensional drawing



Dimensional drawing

Diagram



Derating diagram

# HC-EVO-B10PT-BWD-HL-M25-PLRBK - Connector set



1407711

<https://www.phoenixcontact.com/in/products/1407711>

## Approvals



**EAC**

Approval ID: RU C-DE.AI30.B.01102



**EAC**

Approval ID: RU C-DE.BL08.B.00511

# HC-EVO-B10PT-BWD-HL-M25-PLRBK - Connector set



1407711

<https://www.phoenixcontact.com/in/products/1407711>

## Classifications

### ECLASS

ECLASS-11.0	27440101
ECLASS-12.0	27440113
ECLASS-13.0	27440113

### ETIM

ETIM 8.0	EC002636
----------	----------

### UNSPSC

UNSPSC 21.0	39121400
-------------	----------

# HC-EVO-B10PT-BWD-HL-M25-PLRBK - Connector set



1407711

<https://www.phoenixcontact.com/in/products/1407711>

## Environmental Product Compliance

China RoHS	Environmentally friendly use period: unlimited = EFUP-e
	No hazardous substances above threshold values

# HC-EVO-B10PT-BWD-HL-M25-PLRBK - Connector set



1407711

<https://www.phoenixcontact.com/in/products/1407711>

## Accessories

### HC-B10-24-DL-PLBK - Housing brackets

1407696

<https://www.phoenixcontact.com/in/products/1407696>



Replacement double locking latch for HEAVYCON EVO housing, HC-B10/HC-B16/HC-B24, PA

### US-EMP (20X9) - Snap-in markers

0829439

<https://www.phoenixcontact.com/in/products/0829439>



Snap-in markers, Card, white, unlabeled, can be labeled with: BLUEMARK ID COLOR, BLUEMARK ID, THERMOMARK PRIME, THERMOMARK CARD 2.0, THERMOMARK CARD, mounting type: snapped, lettering field size: 20 x 9 mm, Number of individual labels: 70

Phoenix Contact 2023 © - all rights reserved

<https://www.phoenixcontact.com>

PHOENIX CONTACT (I) Pvt. Ltd.

A-58/2, Okhla Industrial Area, Phase - II, New Delhi-110 020

+91.1275.71420

[info@phoenixcontact.co.in](mailto:info@phoenixcontact.co.in)