

HC-EVO-B24-SHWS-2SSM40-PLRBK - Housing



1407663

<https://www.phoenixcontact.com/in/products/1407663>

Please be informed that the data shown in this PDF document is generated from our Online Catalog. Please find the complete data in the user documentation. Our General Terms of Use for Downloads are valid.



Box mounting bases B24, with single locking latch, material: PA, cable outlets: 2, lateral, 2x M40, height: 84 mm, cable gland: none, Standard

Product Description

One screw connection opening is closed, however can be opened using a screwdriver

Your advantages

- Lower costs than metal version
- Low weight
- Lower risk of condensation

Commercial Data

Item number	1407663
Packing unit	1 pc
Minimum order quantity	1 pc
Sales Key	BF7
Product Key	BF7APL
Catalog Page	Page 632 (C-2-2019)
GTIN	4046356777261
Weight per Piece (including packing)	215.4 g
Weight per Piece (excluding packing)	215.4 g
Customs tariff number	85389099
Country of origin	PL

HC-EVO-B24-SHWS-2SSM40-PLRBK - Housing



1407663

<https://www.phoenixcontact.com/in/products/1407663>

Technical Data

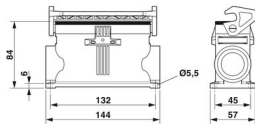
Notes

General	For contact inserts HC-B24, BB46, D64, DD108, M, K, HV10-I-PT, HV 10-E...C
---------	--

Product properties

Type	B24
Product type	Housing with locking latch
Application	Standard
No. of cable outlets	2
Type of the screw connection	2x M40
Housing type	Box mounting bases
Locking type	with single locking latch
Cable outlet	lateral
Pg screw connection	none

Dimensions

Dimensional drawing	
Width	57 mm
Height	84 mm
Length	144 mm
Hole diameter	5.5 mm

Material specifications

Color	black
Flammability rating according to UL 94	V0 (Housing) V0 (Interlock)
Seal material	NBR
Locking latch material	PA
Impact strength	IK08
Housing material	PA

Mechanical properties

Mechanical data

Type of the screw connection	2x M40
Locking type	Latch

Mounting

Assembly instructions	One of the two openings for the screw connections is sealed but
-----------------------	---

HC-EVO-B24-SHWS-2SSM40-PLRBK - Housing



1407663

<https://www.phoenixcontact.com/in/products/1407663>

can be broken open using a screwdriver.

Environmental and real-life conditions

Ambient conditions

Degree of protection	IP66
	12 (UL 50e)
Impact strength	IK08
Ambient temperature (operation)	-40 °C ... 125 °C

HC-EVO-B24-SHWS-2SSM40-PLRBK - Housing

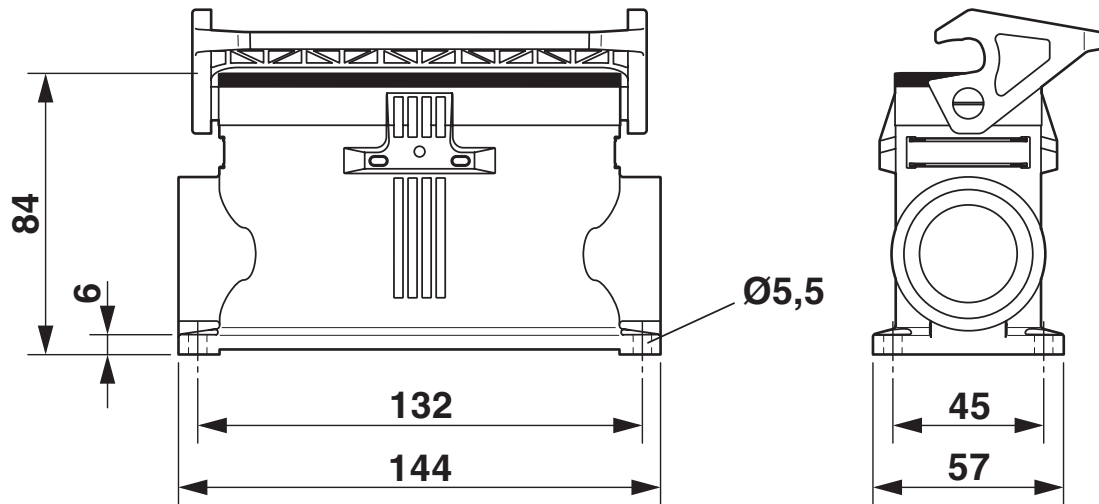
1407663

<https://www.phoenixcontact.com/in/products/1407663>



Drawings

Dimensional drawing



Dimensional drawing

1407663

<https://www.phoenixcontact.com/in/products/1407663>

Approvals



cUL Recognized

Approval ID: E255026



UL Recognized

Approval ID: E255026



EAC

Approval ID: RU C-DE.AI30.B.01102



EAC

Approval ID: RU C-DE.BL08.B.00511

HC-EVO-B24-SHWS-2SSM40-PLRBK - Housing



1407663

<https://www.phoenixcontact.com/in/products/1407663>

Classifications

ECLASS

ECLASS-11.0	27440202
ECLASS-12.0	27440202
ECLASS-13.0	27440202

ETIM

ETIM 8.0	EC000437
----------	----------

UNSPSC

UNSPSC 21.0	31261500
-------------	----------

HC-EVO-B24-SHWS-2SSM40-PLRBK - Housing



1407663

<https://www.phoenixcontact.com/in/products/1407663>

Environmental Product Compliance

China RoHS	Environmentally friendly use period: unlimited = EFUP-e
	No hazardous substances above threshold values

HC-EVO-B24-SHWS-2SSM40-PLRBK - Housing



1407663

<https://www.phoenixcontact.com/in/products/1407663>

Accessories

HC-K-KV-M40(16-28)BK - Cable gland

1407674

<https://www.phoenixcontact.com/in/products/1407674>



Plastic screw connection up to 5 bar, thread length: 10 mm, cable diameter: 16 - 28 mm, WAF 46, screw connection: M40

HC-B24-SP-RBK - Profile gasket

1407709

<https://www.phoenixcontact.com/in/products/1407709>



Profile gasket for HEAVYCON EVO supporting base element type B24

HC-EVO-B24-SHWS-2SSM40-PLRBK - Housing



1407663

<https://www.phoenixcontact.com/in/products/1407663>

HC-B24-SL-PLBK - Housing brackets

1407701

<https://www.phoenixcontact.com/in/products/1407701>



Replacement single locking latch for HEAVYCON EVO housing type B24, PA

HC-K-BS-M40-BK - Filler plugs

1410767

<https://www.phoenixcontact.com/in/products/1410767>



Filler plug, plastic, size: M40

HC-EVO-B24-SHWS-2SSM40-PLRBK - Housing

1407663

<https://www.phoenixcontact.com/in/products/1407663>



HC-B24-BC-HI-PLBK - Protective cover

1407695

<https://www.phoenixcontact.com/in/products/1407695>

Protective cover B24, for single locking latch, protective cover material: PC, height: 19 mm, seal: no



REDUC-K-KV-M40/M25 BK - Reducing adapter

1410741

<https://www.phoenixcontact.com/in/products/1410741>

Reducing adapter, connecting thread: M40 x 1.5, color: jet black, with flat gasket



HC-EVO-B24-SHWS-2SSM40-PLRBK - Housing



1407663

<https://www.phoenixcontact.com/in/products/1407663>

REDUC-K-KV-M40/M32 BK - Reducing adapter

1410738

<https://www.phoenixcontact.com/in/products/1410738>



Reducing adapter, connecting thread: M40 x 1.5, color: jet black, with flat gasket

US-EMP (20X9) - Snap-in markers

0829439

<https://www.phoenixcontact.com/in/products/0829439>



Snap-in markers, Card, white, unlabeled, can be labeled with: BLUEMARK ID COLOR, BLUEMARK ID, THERMOMARK PRIME, THERMOMARK CARD 2.0, THERMOMARK CARD, mounting type: snapped, lettering field size: 20 x 9 mm, Number of individual labels: 70

HC-EVO-B24-SHWS-2SSM40-PLRBK - Housing

1407663

<https://www.phoenixcontact.com/in/products/1407663>



G-INS-M40-M68N-PNES-BK - Cable gland

1411137

<https://www.phoenixcontact.com/in/products/1411137>



Cable gland, material for screw connection: PA, external cable diameter 19 mm .
.. 28 mm, shielding: no, connecting thread: M40 x 1.5, color: jet black RAL 9005

HC-B24-BCFS-P-BK - Protective cover

1346545

<https://www.phoenixcontact.com/in/products/1346545>



Protective cover B24, for single locking latch, protective cover material: PC,
height: 26.3 mm, seal: no

HC-EVO-B24-SHWS-2SSM40-PLRBK - Housing



1407663

<https://www.phoenixcontact.com/in/products/1407663>

US-EMP (20X9) CUS - Snap-in markers

0830028

<https://www.phoenixcontact.com/in/products/0830028>

Snap-in markers, can be ordered: by card, white, labeled according to customer specifications, mounting type: snapped into marker carrier, lettering field size: 20 x 9 mm, Number of individual labels: 70



Phoenix Contact 2023 © - all rights reserved

<https://www.phoenixcontact.com>

PHOENIX CONTACT (I) Pvt. Ltd.

A-58/2, Okhla Industrial Area, Phase - II, New Delhi-110 020

+91.1275.71420

info@phoenixcontact.co.in